

Belkin Enclosure User Manual

EN

DE

FR

Table of Contents

Product Description and Inventory	4
Product Inventory.....	5
Features of the Enclosure.....	5
Before you Install	6
Unpacking your Enclosure	7
Unpacking Instructions.....	7
Installing your Belkin Enclosure	8
Leveling you Enclosure.....	8
Removing your Casters and Levelers.....	8
Removing and Installing your Side Panels	9
Removing and Installing your Top Panel	10
Ganging or Networking your Enclosures	11
Reversing your Front Door.....	12
Reversing your Front Door.....	13
Reversing your Front Door.....	14
Adjusting your Vertical Mounting Rails	15
Installing your Equipment.....	16
Grounding Studs.....	16
Cable Management.....	17
Cable Access	18
Specifications.....	19
Accessories	20
Warranty and Service.....	21
LIMITED LIFETIME WARRANTY	21
Contact Information	23

Product Description and Inventory

The Belkin Enclosure is an industrial-grade, high-performance enclosure for the IT and telecommunication industries. The Enclosure has full compliance with the 19" rack-mount hardware EIA 310-D industry standard. The Belkin Enclosure is designed for the optimal performance of applications with servers, voice, data, networking, internetworking, cable management, power distribution, and power protection equipment.

Belkin Enclosures				
Part Number	RMU Height	Nominal Enclosure Height w/ Casters	Nominal Enclosure Width	Description
RK1000ek	42	80.25" (2038mm)	24" (610mm)	Enclosure with Sides
RK1001ek	42	80.25" (2038mm)	24" (610mm)	Enclosure w/o Sides
RK1002ek	24	48.75" (1238mm)	24" (610mm)	Enclosure with Sides

Side panels are available for those Enclosures ordered without sides.
Side panels are available in pairs with hardware included.

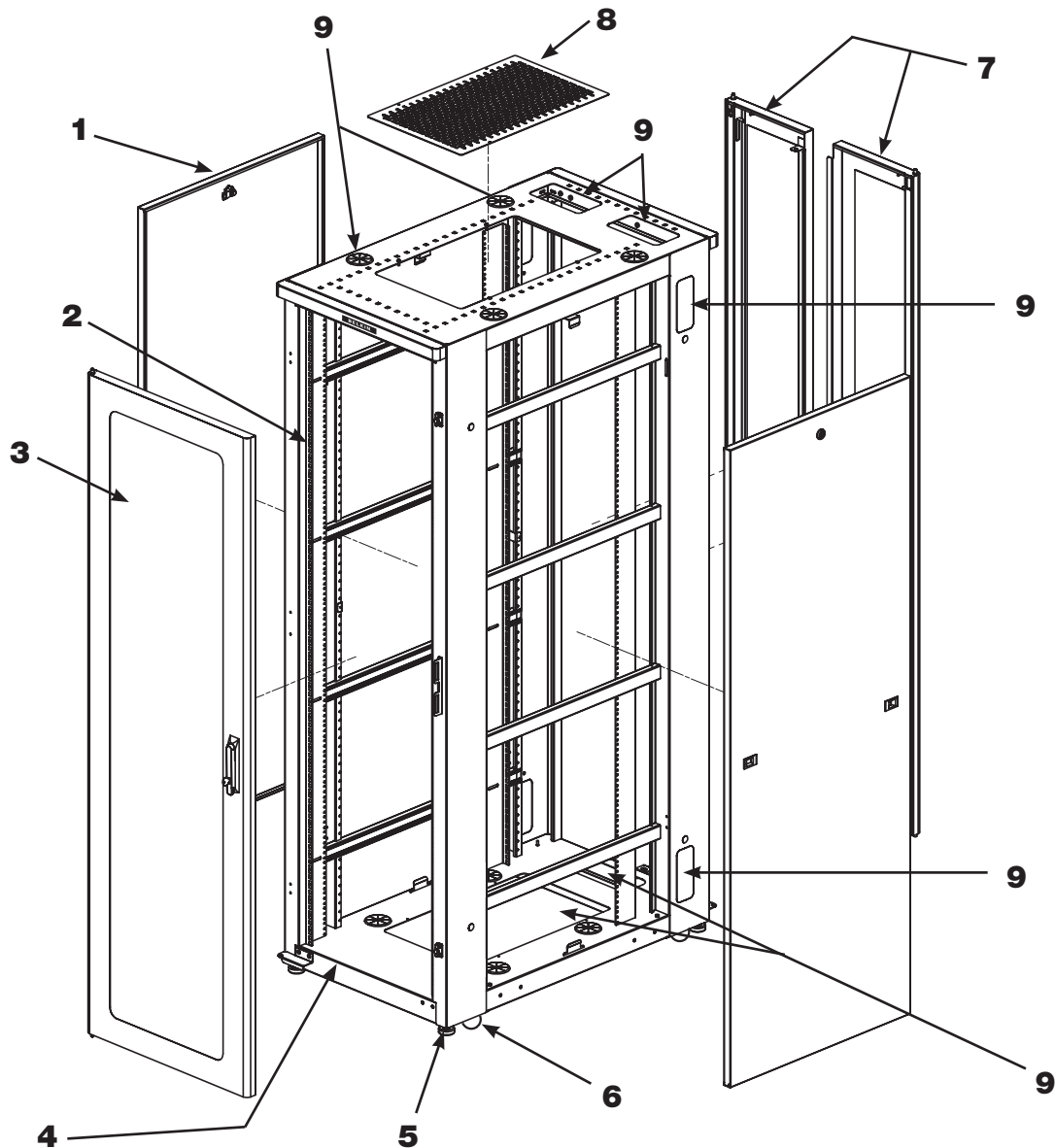
Part Number	Description
RK5009ek	Side Panels for 42U Enclosure

Your Enclosure comes with 50 Metric 6mm Black Screws with Cage Nuts. If you require more, please see part number below:

Part Number	Description
RK5034ek	Metric 6mm Black Screw with Cage Nuts (25)

Product Inventory

Features of the Enclosure



- 1 Side Panels with Locks
- 2 Vertical Rails (Adjustable)
- 3 Reversible Front Doors
- 4 Fully Welded Frame
- 5 Leveling Feet (Adjustable)
- 6 Casters
- 7 Split Rear Doors
- 8 Vented Top Panels
- 9 Cable Access

Before you Install

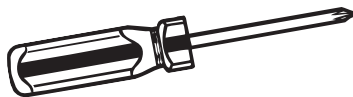
Instructions must be read completely before installation.



When this caution symbol appears in this User Manual, the information that accompanies it is critical to your safety and the prevention of damage to product.

Before unpacking, please make sure you have the following tools:

Phillips Screwdriver



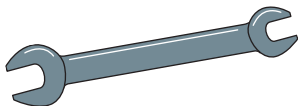
Utility Knife



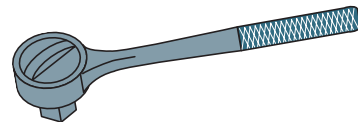
Level



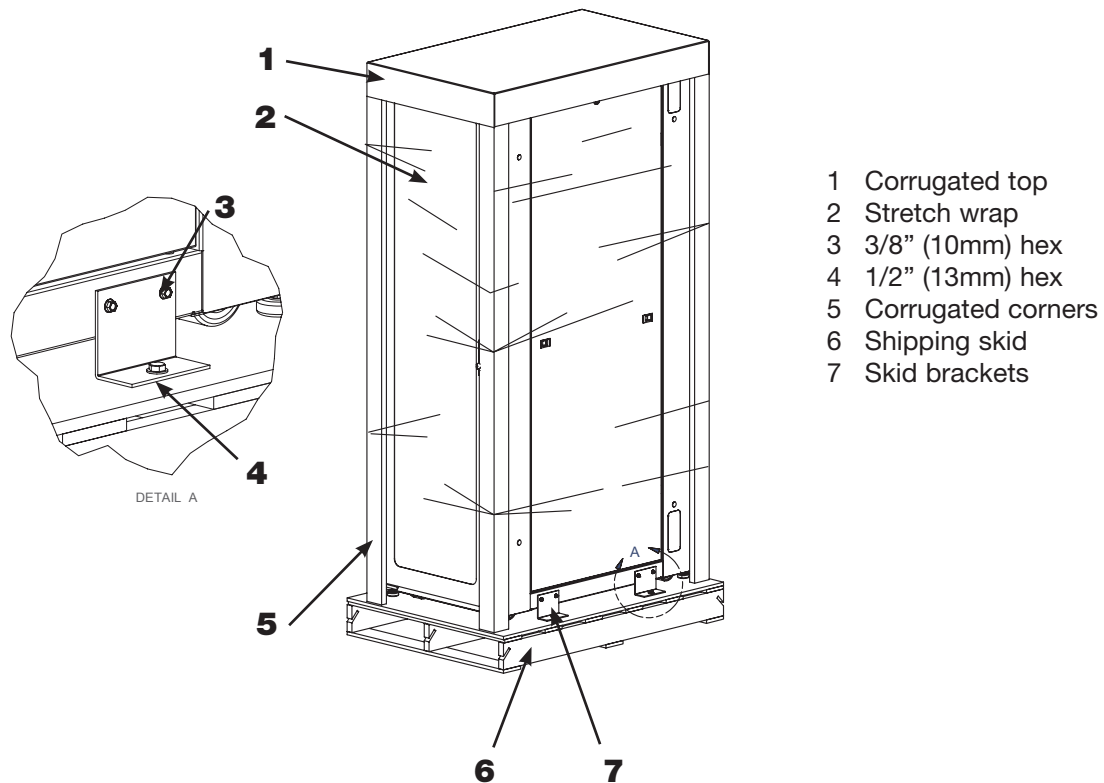
3/4" (19mm) Open Ended Wrench



1/2" (13mm), 3/8" (10mm) and 7/16" (11mm)
Hex Sockets



Unpacking your Enclosure



Unpacking Instructions



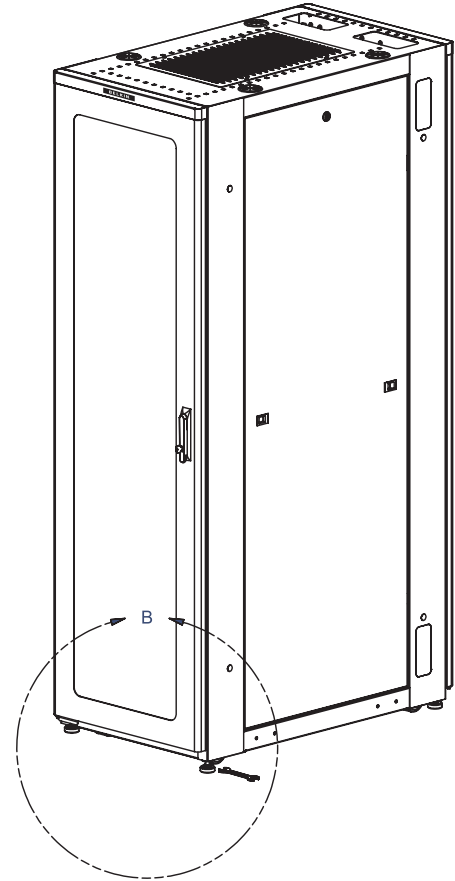
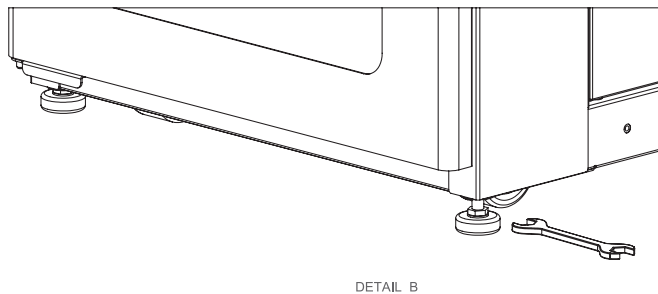
1. Removal of the stretch wrap. To prevent damage to the Enclosure, cut the stretch wrap at one of the corrugated corners using a utility knife.
2. Remove the corrugated top and corners.
3. Remove the skid brackets from the skid, using a 1/2" (13mm) socket wrench. Remove the hex from the Enclosure by using the 3/8" (10mm) socket wrench.
4. This step requires two or more people. With one person standing on each side of the Enclosure, slowly roll the Enclosure to the back of the skid. Proceed until all four casters contact the floor.
5. Verify that you have received all hardware and components with your Belkin Enclosure. Contact Belkin support if you feel items are missing.

Mounting hardware and keys can be found in bag attached to one of the vertical mounting rails.

Installing your Belkin Enclosure

Leveling your Enclosure

1. Move your Enclosure to its final location.
2. Once in place use your 3/4" (19mm) wrench to lower the adjustable levelers so that the weight of the Enclosure is taken off of the casters.
3. Using a level and your wrench, adjust the levelers so that your Enclosure is level.



Removing your Casters and Levelers

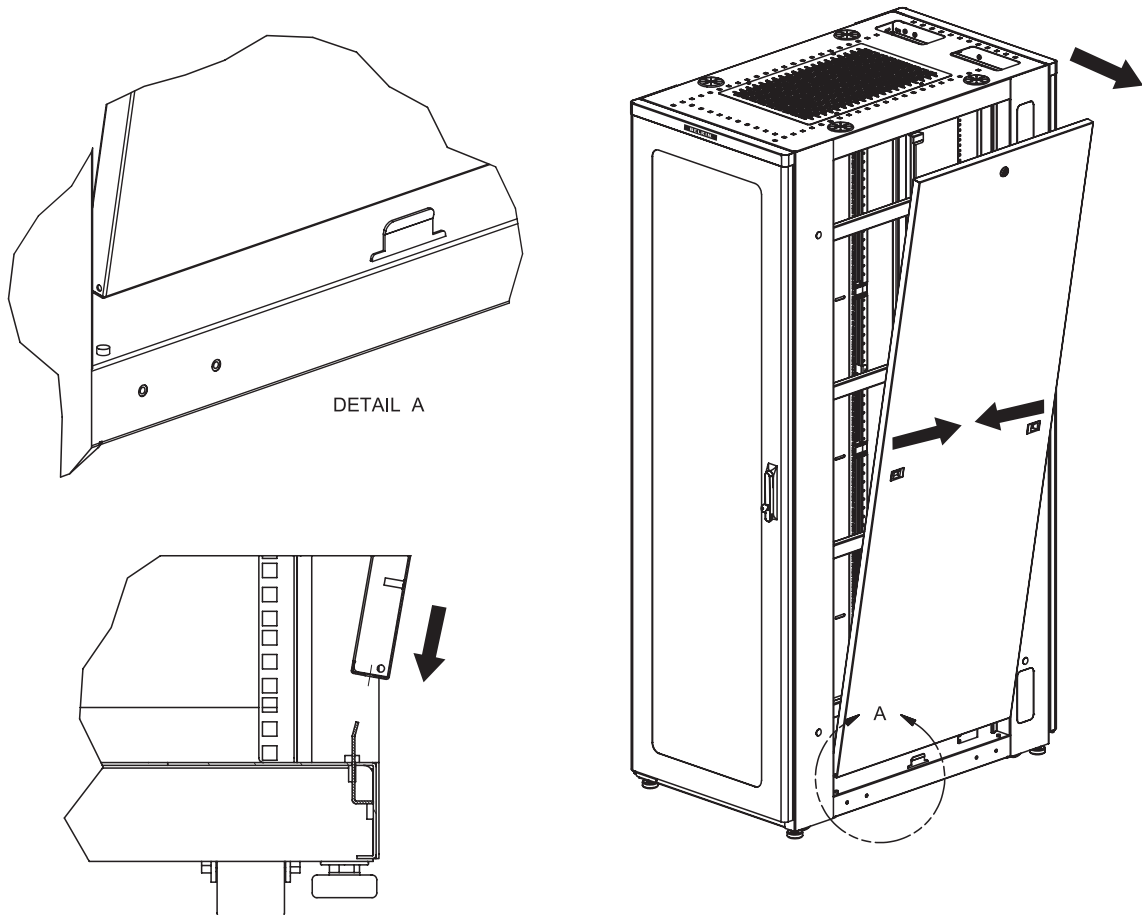


The following steps require two or more people.

1. Using two or more persons, lay your Enclosure on its side.
2. Unscrew the levelers
3. Using a 1/2" (13mm) hex socket, remove the 5/6" (21mm) nuts holding the casters
4. Return Enclosure to upright position.

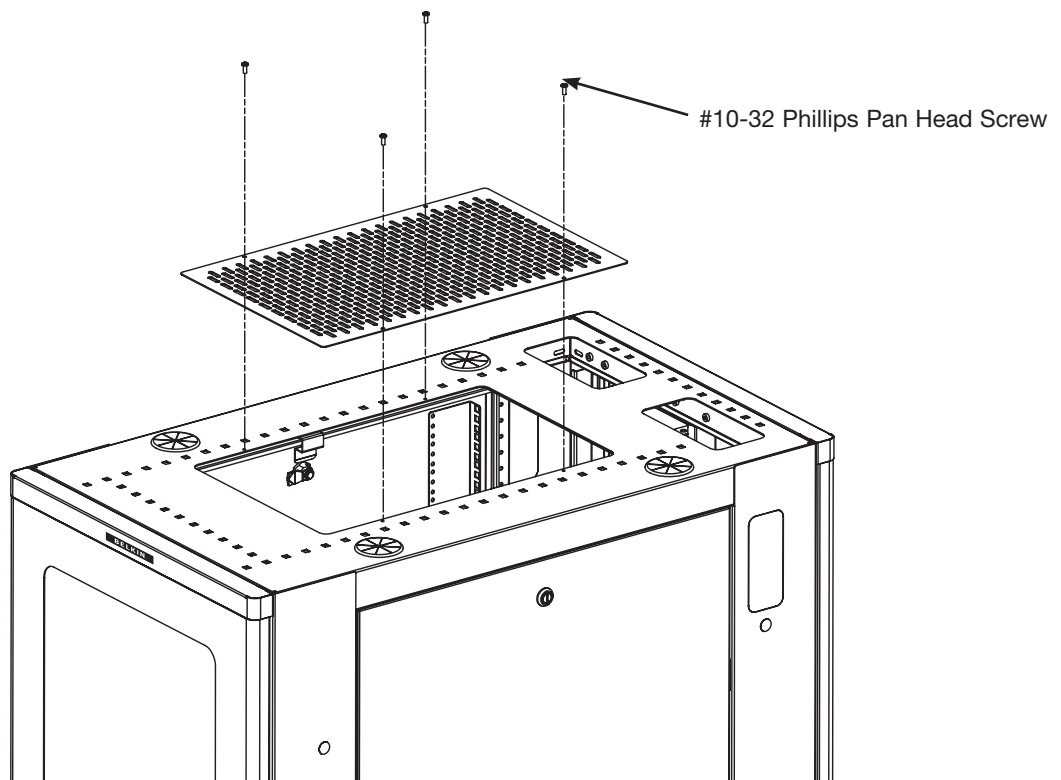
Removing and Installing your Side Panels

1. If side panel is locked, please unlock.
2. Slide both latches toward the center of the side panel, and carefully pull side panel toward you.
3. Lift side panel up and remove from Enclosure.
4. To re-install, reverse above steps.



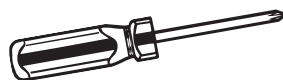
Removing and Installing your Top Panel

The center portion of the top of your Enclosure is attached with four #10-32 Phillips pan head screws. This top panel can be replaced with optional fan tops by removing the four #10-32 screws. Please see chart below.

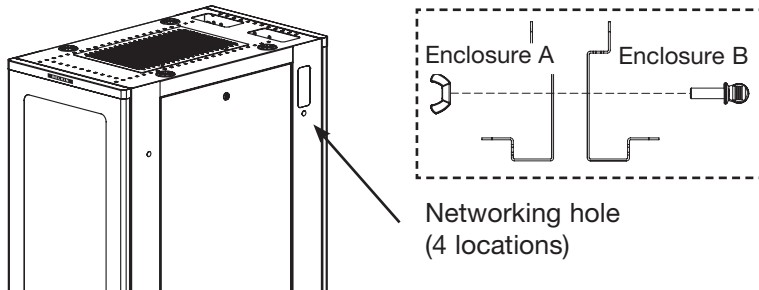


Part Number	Description
RK5004ek	3 muffin fan top, 225 CFM
RK5006ek	Double 10" fan top, 1100 CFM

Tools required: Phillips Pan
Head Screw Driver

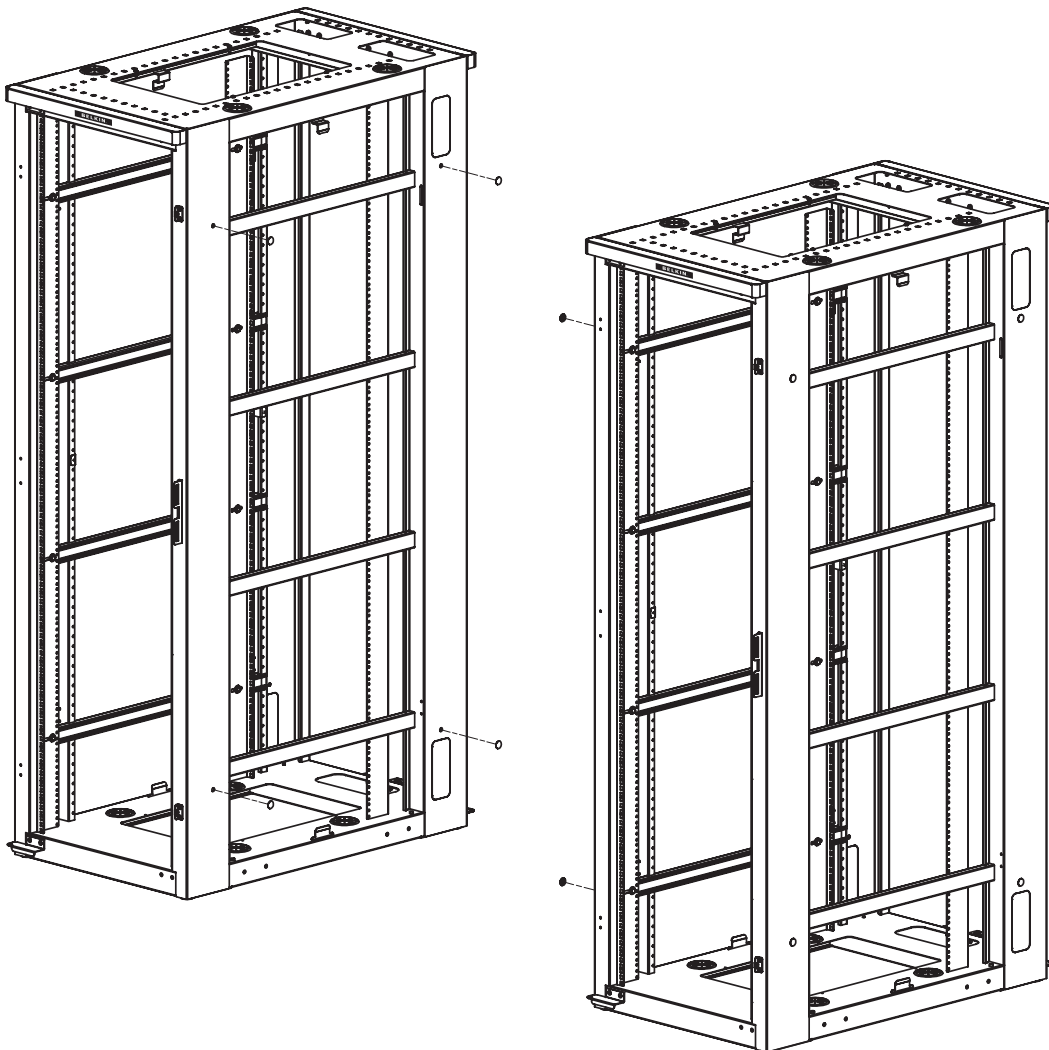


Ganging or Networking your Enclosures



1. Remove plastic button plugs from enclosure corner posts (4).
2. Remove at least one side panel from adjoining enclosures.
3. Line up enclosures, install baying hardware.

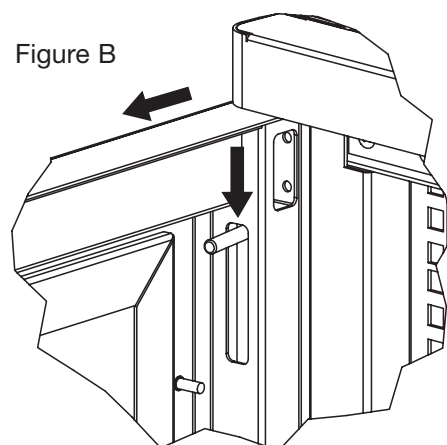
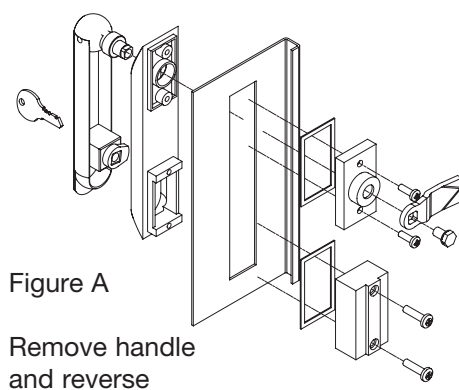
Use Belkin part number RK5008ek (optional enclosure baying kit). No additional tools required.



Reversing your Front Door

1. Open door and reverse handle. See Figure A.
2. Secure door with one hand while you pull down the top hinge pin (Figure B) with the other.
3. Grab door on both sides and lift up to remove door and set it aside.
4. Remove hinge pin brackets using Phillips head screwdriver, turn and reattach hinge pin brackets to opposite corners (Figure C).
5. Remove button plugs by pushing from the back side and retain for reuse.
6. Remove latch bracket and door stops (2) using Phillips head screwdriver while holding lock nut in back. Turn and place bracket and door stops (2) on the opposite side (Figure D).
7. Put push buttons back into holes on opposite side.
8. Rehang door.

NOTE: The best time to reverse the door is prior to installing the equipment. Standard factory door configuration is left-hand hinged.



Reversing your Front Door

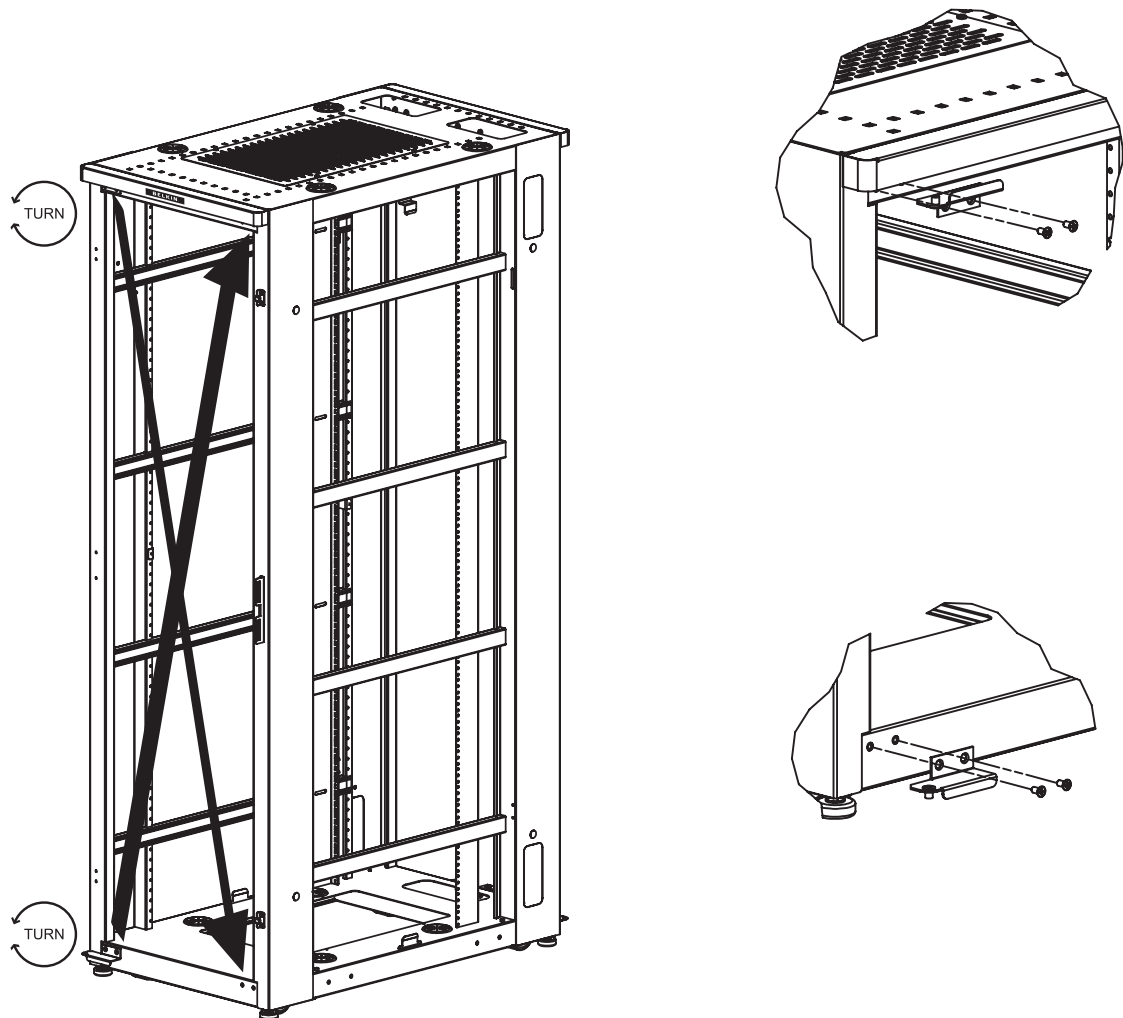


Figure C

Reversing your Front Door

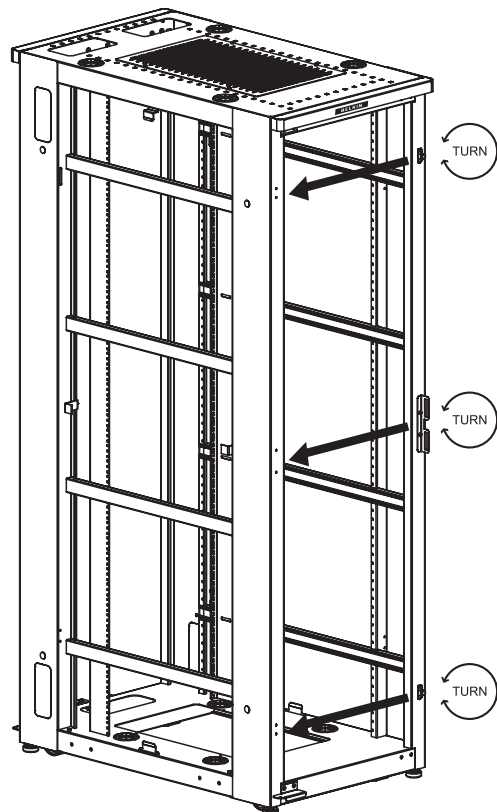
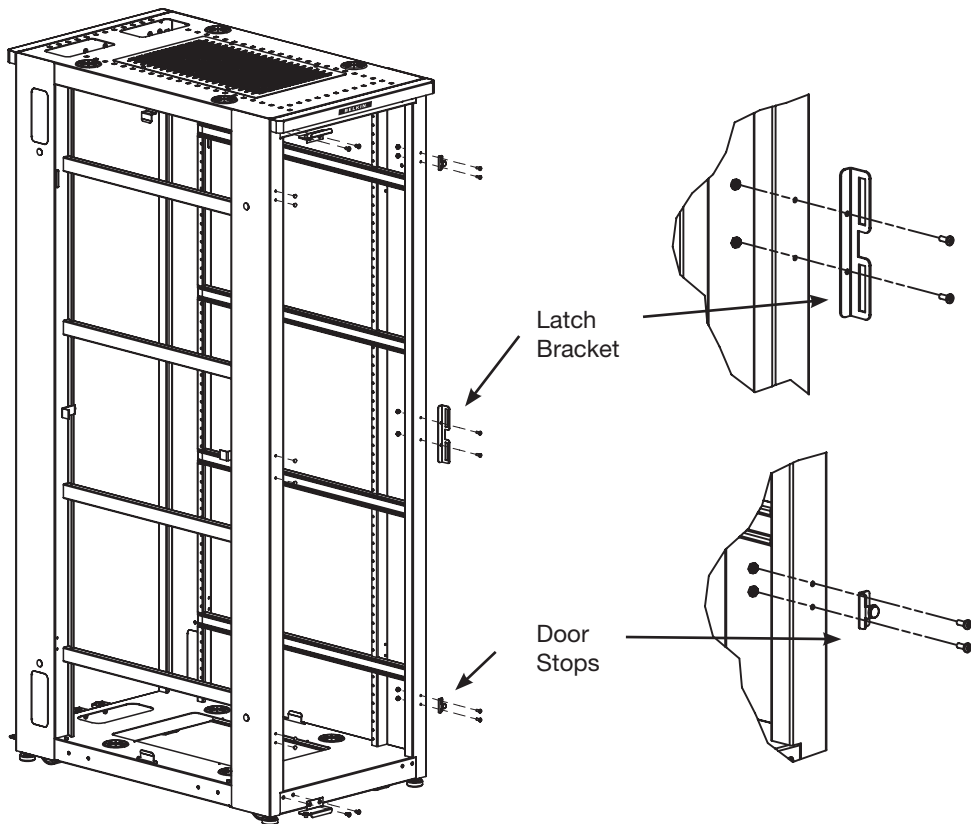


Figure D

Adjusting your Vertical Mounting Rails

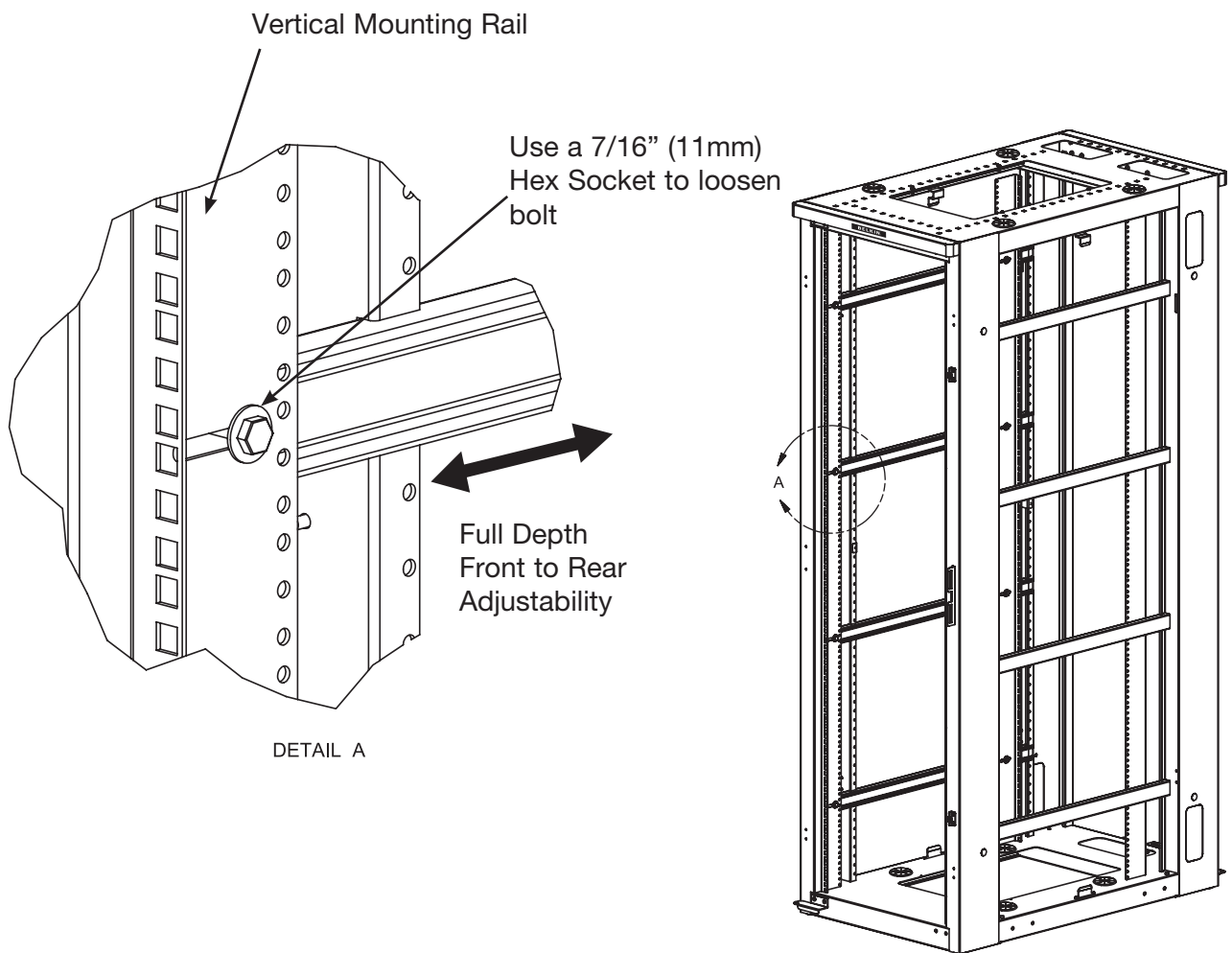
The universal M6 cage nut rails are preset at a 29" (737mm) depth. This depth allows for the installation



of most rack-mountable equipment. Rails are infinitely adjustable front to back.

The best time to move the rails is before installation of equipment.

To adjust your rails, loosen the rail bolts (4) with a 7/16" (11mm) hex socket.

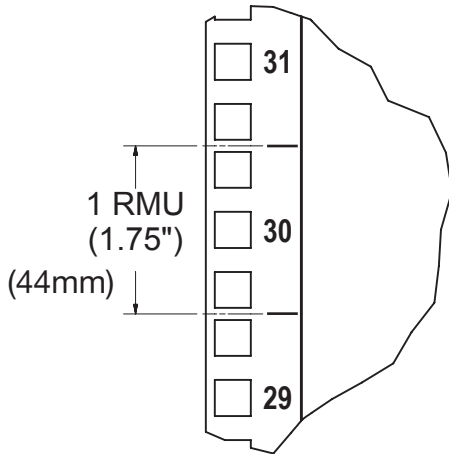


Installing your Equipment

All Belkin Enclosures conform to the 19" EIA 310-D industry standard.

The vertical mounting rail has 42 Rack-Mount Units (RMU). An (RMU) consists of a 1.75" (44mm)

vertical rack space.



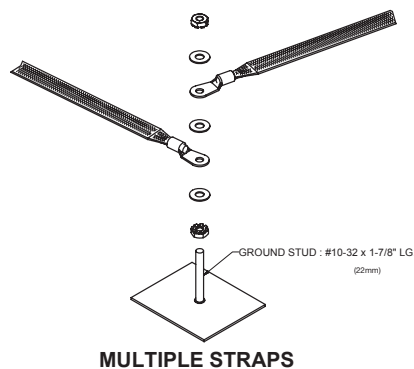
- Load your rack from the bottom up, placing the heaviest components at the lowest position.
- Please follow the individual instructions that are provided with the components you are installing.
- After installation of your equipment, extend only one component at a time.
- For proper air flow, please use filler panels (optional) per component manufacturer recommendations.

Grounding Studs

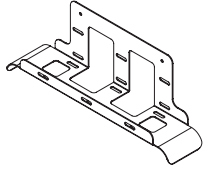

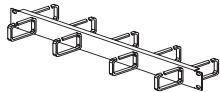
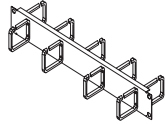
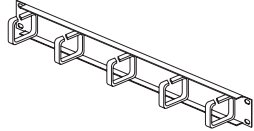
The ten grounding studs on the Enclosure are located on the doors, side panels, and frame.

Number of studs	Location
2	Base
2	Front door
4	Rear doors (2 each)
2	Side panels (1 each)

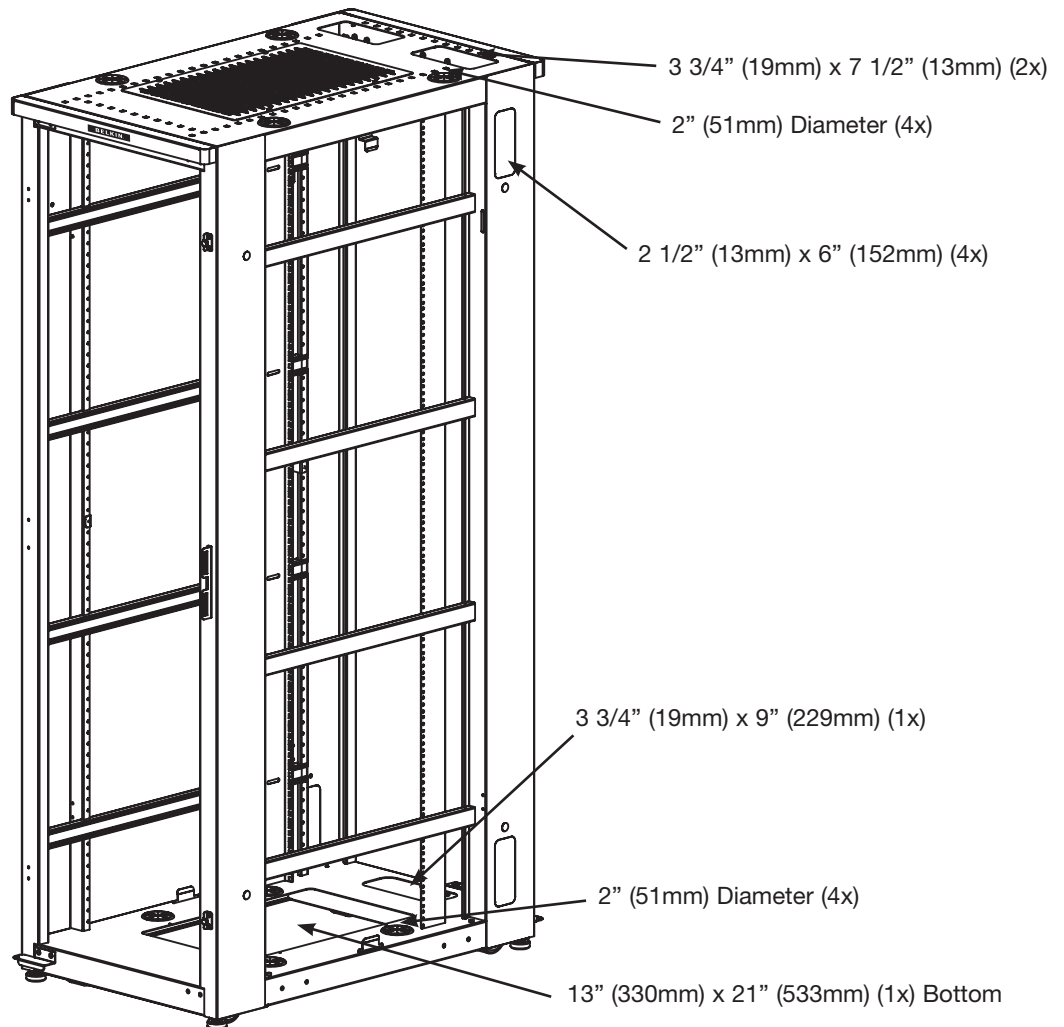
Please refer to part number RK5038ek for the optional Belkin enclosure grounding kit.



Cable Management

Part Number	Description	Image
RK5001ek	Waterfall Cable Manager	 A perspective view of a waterfall cable manager, which is a metal bracket with a flat base and a vertical lip that allows cables to slide over and be held in place.
RK5002ek	Vertical Finger Cable Manager	 A perspective view of a vertical finger cable manager, which is a long, narrow metal strip with a series of small, rectangular protrusions (fingers) along one edge for holding cables.
RK5012ek	Double Sided 1U Cable Manager	 A perspective view of a double-sided 1U cable manager, which is a metal bracket with two rows of rectangular slots for holding cables on both sides.
RK5013ek	Double Sided 2U Cable Manager	 A perspective view of a double-sided 2U cable manager, which is a metal bracket with two rows of rectangular slots for holding cables on both sides, designed for a 2U rack height.
RK5016ek	Single Sided Cable Manager	 A perspective view of a single-sided cable manager, which is a metal bracket with a single row of rectangular slots for holding cables on one side.

Cable Access



- Your Belkin Enclosure provides easy cable access.
- The top has two rectangular and four grommeted access points.
- The rear corner posts have two integrated cable knock-outs.
- These knock-outs can be removed when ganging two or more Enclosures together.
- These knock-outs will still allow you to have cabinet-to-cabinet access with a side panel in place.
- Access through the bottom is achieved through one large center opening, an additional rectangular point in the rear and four grommeted access points.

Specifications

Description	RK1000ek	RK1002ek
	RK1001ek	
	Measurement	
Height with Casters (Standard)	80.25 in (203.8 cm)	48.75 in (123.8 cm)
Width	24 in (60.96 cm)	24 in (60.96 cm)
Depth	42 in (106.7 cm)	42 in (106.7 cm)
Weight	335 lbs. (152 kg)	295 lbs. (133.8 kg)
	275 lbs. w/o sides (124.7 kg)	
Shipping Weight	375 lbs. (170.1 kg)	335 lbs. (152 kg)
	315 lbs. w/o sides (147.9 kg)	
Open Area Front Door	861.8 in ² (5560 cm ²)	484.8 in ² (3218 cm ²)
Open Area Rear Door	830.2 in ² (5356 cm ²)	474.3 in ² (3060 cm ²)
Open Front Door Area Measured per U	20.5 in ² (132.3 cm ²)	20.2 in ² (130.3 cm ²)
Open Rear Door Area Measured per U	19.8 in ² (127.7 cm ²)	19.7 in ² (127.1 cm ²)
Wiring Clearance between Vertical Rail & Front Door*	2.5 in (6.35 cm)	2.5 in (6.35 cm)
Static Weight Rating	2200 lbs. (997.9 kg)	2200 lbs. (997.9 kg)
Dynamic Weight Rating	2000 lbs. (907.2 kg)	2000 lbs. (907.2 kg)

* Front rail adjustable for additional clearance

Accessories

Part No.	Description
RK5003ek	Perforated Top Panel
RK5004ek	Top Panel with 3 Muffin Fan
RK5006ek	Top Panel with Two 10" (254mm) 1100 CFM Fans
RK5008ek	Baying kit
RK5009ek	Pair of Side Panels
RK5018ek	26" (660mm) Deep Sliding Shelf, 110 lb. Capacity
RK5019ek	32" (813mm) Deep Sliding Shelf, 110 lb. Capacity
RK5021ek	28" (711mm) Deep Front & Rear Mount Stationary Vented Shelf
RK5022ek	Pivoting Keyboard Tray with Mouse Tray
RK5023ek	Stationary Shelf - Cantilevered
RK5027ek	Stationary Front Mount Shelf
RK5030ek	Filler Panel Kit - 2 ea. of 1U/2U/3U
RK5031ek	1U Filler Panel (set of 2)
RK5032ek	2U Filler Panel (set of 2)
RK5033ek	3U Filler Panel (set of 2)
RK5034ek	Package of 25 M6 Cage Nuts w/Screws
RK5035ek	Casters, Set of 4, Non-locking

Please contact your local Belkin representative for ordering information.

Warranty and Service

LIMITED LIFETIME WARRANTY

What this Warranty covers.

Belkin Corporation warrants to the original purchaser of any Belkin enclosure, that the Enclosure shall be free of defects in design, assembly, material, or workmanship.

What the period of coverage is.

Belkin Corporation warrants the Belkin Enclosure for as long as the original purchaser owns it.

What will we do to correct problems?

Enclosure Warranty.

Belkin will repair or replace, at its option, any defective Enclosure free of charge (except for shipping charges for the Enclosure).

What is not covered by this Warranty?

All above warranties are null and void if the Belkin Enclosure is not provided to Belkin Corporation for inspection upon Belkin's request at the sole expense of the purchaser, Belkin Corporation determines that the Belkin Enclosure has been improperly installed, altered in any way or tampered with. The Belkin Enclosure Warranty does not protect against acts of God (other than lightning) such as flood, earthquake, war, vandalism, theft, normal-use wear and tear, erosion, depletion, obsolescence, abuse, damage due to low-voltage disturbances (i.e. brown-outs or sags), non-authorized program, or system equipment modification or alteration.

How to get service.

To get service for your Belkin Enclosure you must take the following steps:

1. Contact Belkin Ltd., Express Business Park, Shipton Way, Rushden, NN10 6GL, United Kingdom, Attn: Customer Service, or call 00 800 223 55 460, within 15 days of the Occurrence.

Be prepared to provide the following information:

- a. The part number of the Belkin Enclosure.
- b. Where you purchased the Enclosure.
- c. When you purchased the Enclosure.
- d. Copy of original receipt.

2. Your Belkin Customer Service Representative will then instruct you on how to forward your receipt and Belkin Enclosure and how to proceed with your claim.

Belkin Corporation reserves the right to review the damaged Belkin Enclosure. All costs of shipping the Belkin Enclosure to Belkin Corporation for inspection shall be borne solely by the purchaser. If Belkin determines, in its sole discretion, that it is impractical to ship the damaged equipment to Belkin Corporation, Belkin may designate, in its sole discretion, an equipment repair facility to inspect and estimate the cost to repair such equipment. The cost, if any, of shipping the equipment to and from such repair facility and of such estimate shall be borne solely by the purchaser. Damaged equipment must remain available for inspection until the claim is finalized. Whenever claims are settled, Belkin Corporation reserves the right to be subrogated under any existing insurance policies the purchaser may have.

How state law relates to the Warranty.

THIS WARRANTY CONTAINS THE SOLE WARRANTY OF BELKIN CORPORATION, THERE ARE NO OTHER WARRANTIES, EXPRESSED OR, EXCEPT AS REQUIRED BY LAW, IMPLIED, INCLUDING THE IMPLIED WARRANTY OR CONDITION OF QUALITY, MERCHANTABILITY OR FITNESS FOR A PARTICULAR PURPOSE, AND SUCH IMPLIED WARRANTIES, IF ANY, ARE LIMITED IN DURATION TO THE TERM OF THIS WARRANTY. Some states do not allow limitations on how long an implied warranty lasts, so the above limitations may not apply to you.

IN NO EVENT SHALL BELKIN CORPORATION BE LIABLE FOR INCIDENTAL, SPECIAL, DIRECT, INDIRECT, CONSEQUENTIAL OR MULTIPLE DAMAGES SUCH AS, BUT NOT LIMITED TO, LOST BUSINESS OR PROFITS ARISING OUT OF THE SALE OR USE OF ANY BELKIN ENCLOSURE, EVEN IF ADVISED OF THE POSSIBILITY OF SUCH DAMAGES. This Warranty gives you specific legal rights, and you may also have other rights, which may vary from state to state. Some states do not allow the exclusion or limitation of incidental, consequential, or other damages, so the above limitations may not apply to you.

Belkin Tech Support

Europe: 00 800 223 55 460

For other languages: www.belkin.com/support

Belkin Ltd.

Express Business Park

Shipton Way, Rushden

NN10 6GL, United Kingdom

+44 (0) 1933 35 2000

+44 (0) 1933 31 2000 fax

Belkin B.V.

Boeing Avenue 333

1119 PH Schiphol-Rijk,

The Netherlands

+31 (0) 20 654 7300

+31 (0) 20 654 7349 fax

Belkin GmbH

Hanebergstrasse 2

80637 Munich,

Germany

+49 (0) 89 143405 0

+49 (0) 89 143405 100 fax

Belkin SAS

130 rue de Silly

92100 Boulogne Billancourt,

France

+33 (0) 1 41 03 14 40

+33 (0) 1 41 31 01 72 fax

© 2005 Belkin Corporation. All rights reserved.

All trade names are registered trademarks of respective manufacturers listed.

Belkin Einbaugehäuse Benutzerhandbuch

EN

DE

FR

(Leerseite)

Inhaltsverzeichnis

Produktbeschreibung und Teileliste	4
Teileliste.....	5
Komponenten des Einbaugeschüsses.....	5
Vor der Installation	6
Auspacken des Gehäuses	7
Anleitung zum Auspacken	7
Installation des Belkin Einbaugeschüsses.....	8
Niveauausgleich	8
Entfernen der Laufrollen und Nivellierfüße	8
Entfernen und Installieren der Seitenwände	9
Entfernen und Installieren der Deckenplatte.....	10
Aneinanderreihen oder Verbinden von Gehäusen	11
Wechseln des Vordertür-Anschlags.....	12
Wechseln des Vordertür-Anschlags.....	13
Wechseln des Vordertür-Anschlags.....	14
Einstellung der vertikalen Montageschienen	15
Installation der Geräte	16
Erdungsbolzen	16
Kabelführung	17
Kabeleinführung	18
Technische Daten	19
Zubehör	20
Garantie und Kundendienst	21
EINGESCHRÄNKTE LEBENSLANGE GARANTIE	21
Kontaktaten.....	23

Produktbeschreibung und Teileliste

Das Belkin Einbaugehäuse ist ein leistungsstarkes Industriestandard-Einbaugehäuse für die IT- und

Telekommunikationsbranche. Das Gehäuse entspricht vollständig dem Industriestandard EIA 310-D für

19"-Rack-Einbaukomponenten. Das Belkin Gehäuse ist für die optimale Leistung bei der Anwendung mit Servern und Geräten für Sprach- und Datenverarbeitung, Netzwerk- und Internet-, Kabelmanagement-, Stromverteilungs- und Überspannungsschutz-Anwendungen ausgelegt.

Belkin Einbaugehäuse

Teilenummer	Höhe (HE)	Nominelle Gehäuse-Höhe m. Laufrollen	Nominelle Gehäuse-Breite	Beschreibung
RK1000ek	42	80,25" (2038mm)	24" (610mm)	Gehäuse mit Seitenwänden
RK1001ek	42	80,25" (2038mm)	24" (610mm)	Gehäuse ohne Seitenwände
RK1002ek	24	48,75" (1238mm)	24" (610mm)	Gehäuse mit Seitenwänden

Seitenwände sind für die Gehäuse erhältlich, die ohne Seitenwände bestellt wurden. Seitenwände sind paarweise einschließlich Einbaumaterial erhältlich.

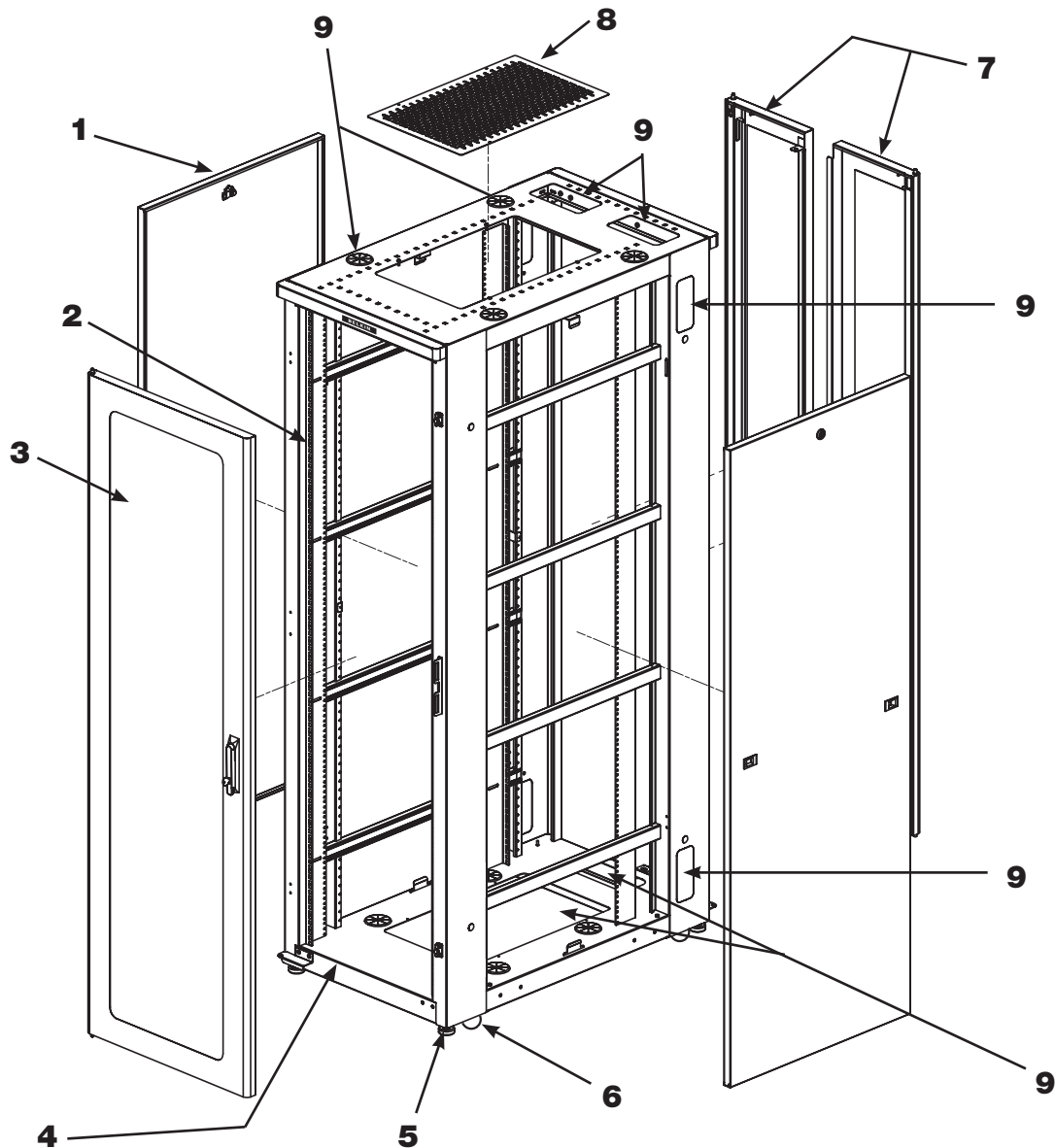
Teilenummer	Beschreibung
RK5009ek	Seitenwände für 42-HE-Gehäuse

Im Lieferumfang des Gehäuses sind 50 schwarze M6-Schrauben mit Käfigmuttern enthalten. Falls Sie mehr davon benötigen, finden Sie die Teilenummer unten aufgeführt:

Teilenummer	Beschreibung
RK5034ek	Schwarze Schrauben M6 mit Käfigmuttern (25)

Teileliste

Komponenten des Einbaugeschüsses



- 1 Seitenwände mit Schlössern
- 2 Vertikale Montageschienen (verstellbar)
- 3 Vordertüren (Anschlag wechselbar)
- 4 Voll verschweißter Rahmen
- 5 Nivellierfüße (verstellbar)
- 6 Laufrollen
- 7 Unterteilte Rücktüren
- 8 Deckenplatten mit Belüftungsöffnungen
- 9 Kabeleinführung

EN

DE

FR

Vor der Installation

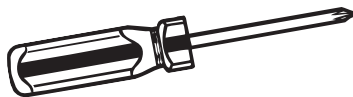
Lesen Sie die Anleitungen vor der Installation vollständig durch.



Wenn dieses Warnsymbol in diesem Benutzerhandbuch abgebildet ist, sind die so markierten Informationen entscheidend für Ihre Sicherheit und zur Verhinderung von Beschädigungen des Produkts.

Stellen Sie sicher, dass Sie die folgenden Werkzeuge zur Verfügung haben, bevor Sie das Einbaugehäuse auspacken:

Kreuzschlitzschraubendreher



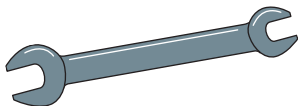
Universalmesser



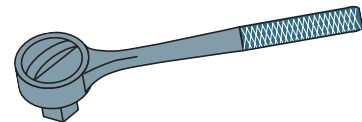
Wasserwaage



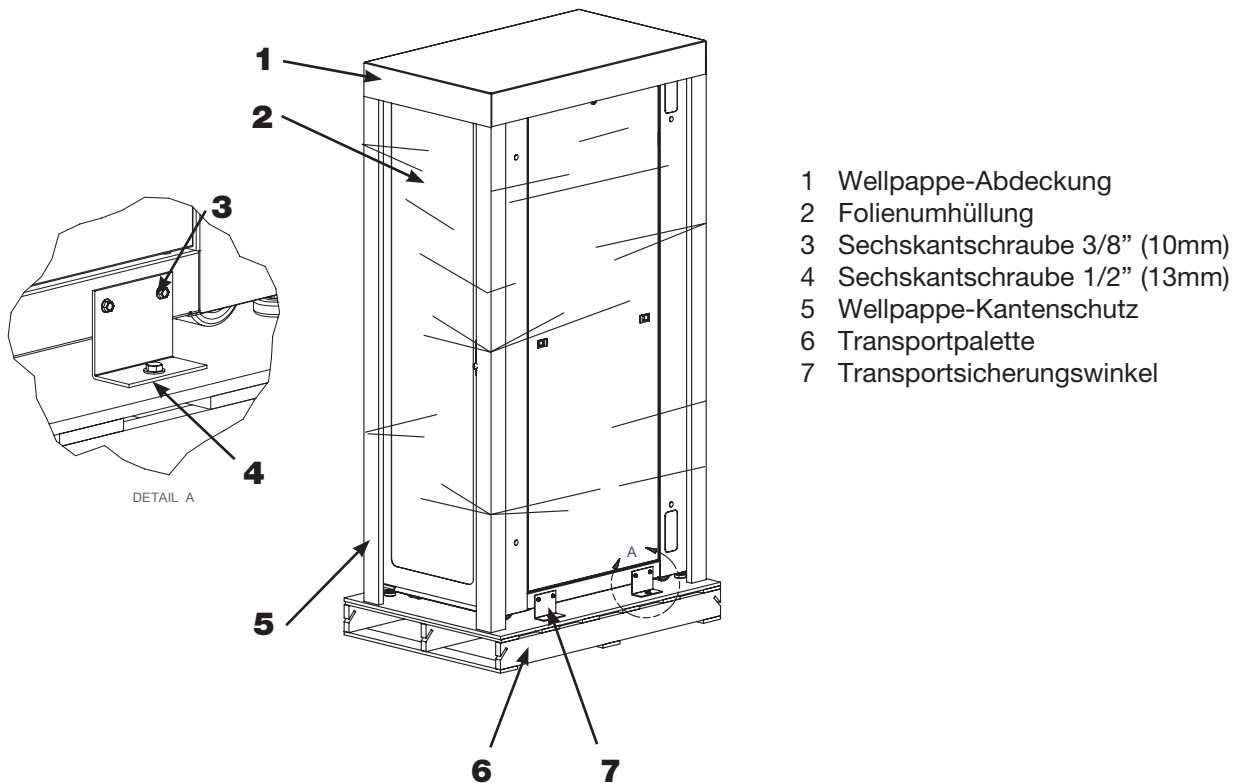
3/4" (19mm) -Gabelschlüssel



1/2" (13mm)-, 3/8" (10mm)- und 7/16" (11mm)-
Sechskant-Steckschlüssel



Auspacken des Gehäuses



Anleitung zum Auspacken



1. Entfernen Sie die Folienumhüllung. Um eine Beschädigung des Einbaugeschäuses zu vermeiden, schneiden Sie die Folienumhüllung an einem Wellpappe-Kantenschutz mit einem Universalmesser auf.
2. Entfernen Sie die Wellpappe-Abdeckung und den Kantenschutz.
3. Entfernen Sie die Transportsicherungswinkel mit einem 1/2" (13mm)-Steckschlüssel von der Transportpalette. Entfernen Sie die Sechskantschraube mit einem 3/8" (10mm)-Steckschlüssel vom Gehäuse.
4. Dieser Schritt muss mit zwei oder mehr Personen ausgeführt werden. Während je eine Person auf beiden Seiten des Gehäuses steht, rollen Sie das Gehäuse langsam nach hinten von der Palette herunter, bis alle vier Laufrollen auf dem Boden stehen.
5. Überprüfen Sie, ob Sie alle Komponenten und Zubehörteile mit dem Belkin Einbaugeschäuse erhalten haben. Setzen Sie sich mit dem Belkin Kundendienst in Verbindung, wenn Sie meinen, dass nicht alle Teile vorhanden sind.

Das Montagezubehör und die Schlüssel befinden sich in einem Beutel an einer der vertikalen Montageschienen.

HINWEIS: Das Gestell sollte für den Fall aufbewahrt werden, dass das Einbaugeschäuse noch einmal transportiert werden muss.

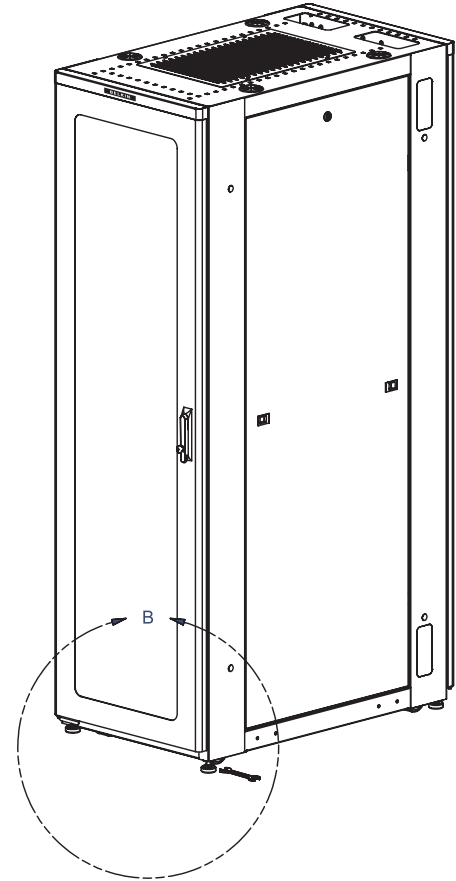
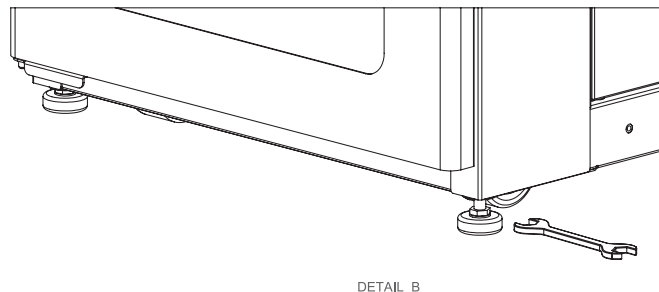
(Belkin ist für eventuelle Beschädigungen durch einen erneuten Transport dieses Gehäuses nicht verantwortlich.)

Bitte führen Sie das Verpackungsmaterial der Abfallwiederverwertung zu, soweit möglich.

Installation des Belkin Einbaugeschüsses

Niveauausgleich

1. Positionieren Sie das Einbaugeschüss an seinem vorgesehenen Standort.
2. Senken Sie dort mit dem 3/4" (19mm)-Schraubenschlüssel die verstellbaren Nivellierfüße so weit ab, dass das Gewicht des Geschüsses nicht mehr auf den Laufrollen lastet.
3. Stellen Sie die Nivellierfüße mit Hilfe einer Wasserwaage und des Schraubenschlüssels so ein, dass das Geschüss eben steht.



Entfernen der Laufrollen und Nivellierfüße

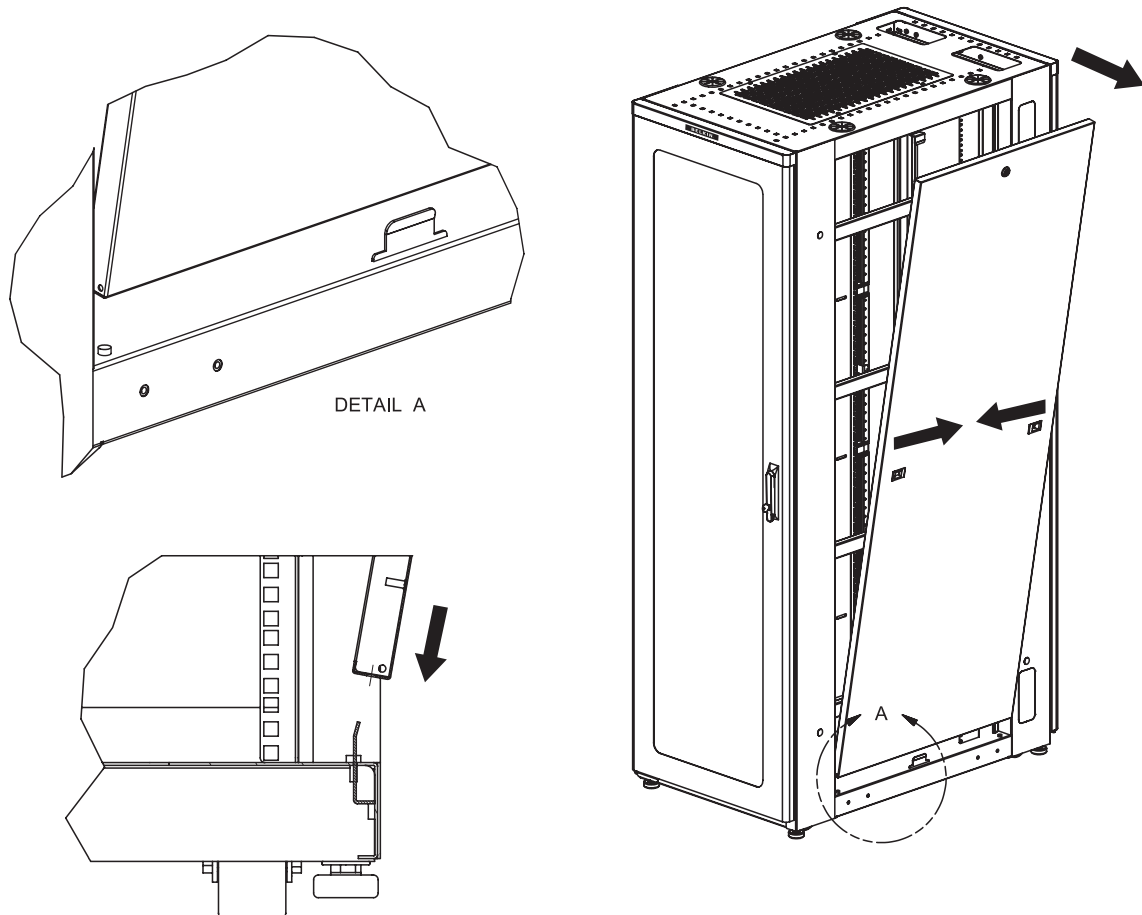


Die folgenden Schritte müssen mit zwei oder mehr Personen ausgeführt werden.

1. Legen Sie das Geschüss unter Mithilfe von zwei oder mehr Personen auf die Seite.
2. Schrauben Sie die Nivellierfüße ab.
3. Entfernen Sie die Muttern 5/6" (21mm), mit denen die Laufrollen befestigt sind, mit einem 1/2" (13mm)-Sechskantschlüssel.
4. Bringen Sie das Geschüss wieder in die aufrechte Position.

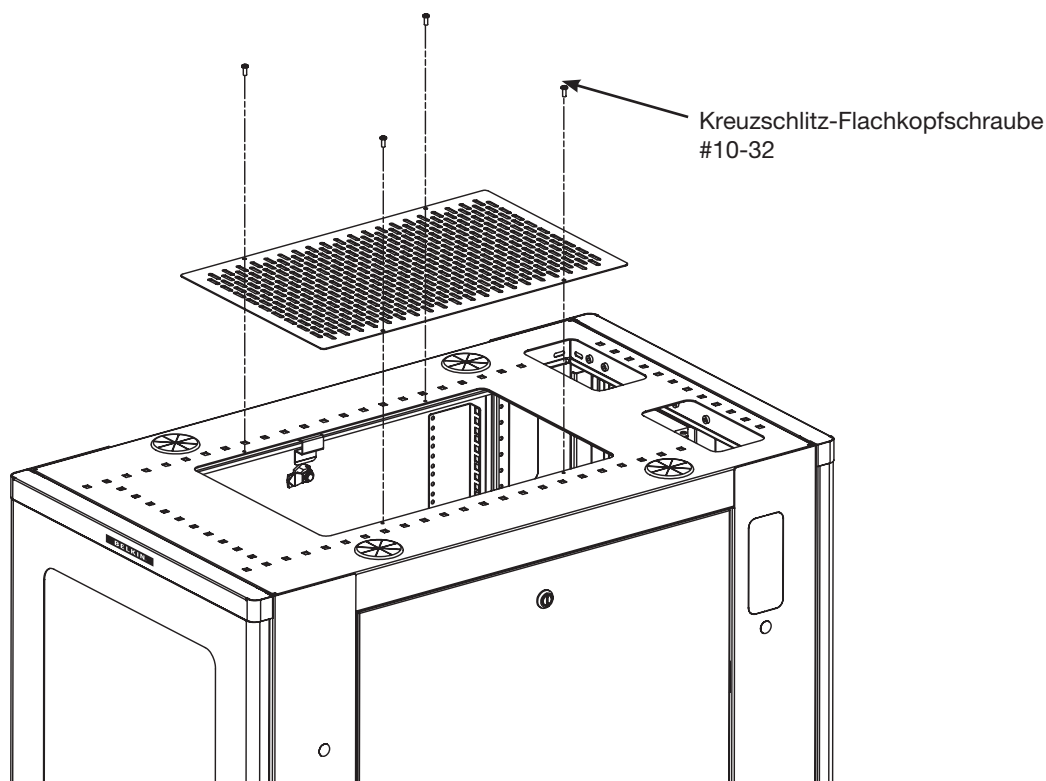
Entfernen und Installieren der Seitenwände

1. Wenn die Seitenwand abgeschlossen ist, schließen Sie sie auf.
2. Schieben Sie beide Verriegelungen zur Mitte der Seitenwand, und ziehen Sie die Seitenwand vorsichtig zu sich.
3. Heben Sie die Seitenwand an, und nehmen Sie sie vom Gehäuse ab.
4. Für den Wiedereinbau kehren Sie die oben beschriebenen Arbeitsschritte um.



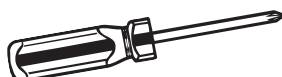
Entfernen und Installieren der Deckenplatte

Der mittlere Teil der Gehäuse-Oberseite ist mit vier Kreuzschlitz-Flachkopfschrauben #10-32 befestigt. Diese Deckenplatte kann durch Entfernen der vier Schrauben #10-32 durch optionale Deckenplatten mit Lüftern ersetzt werden. Einzelheiten finden Sie in der unten stehenden Tabelle.

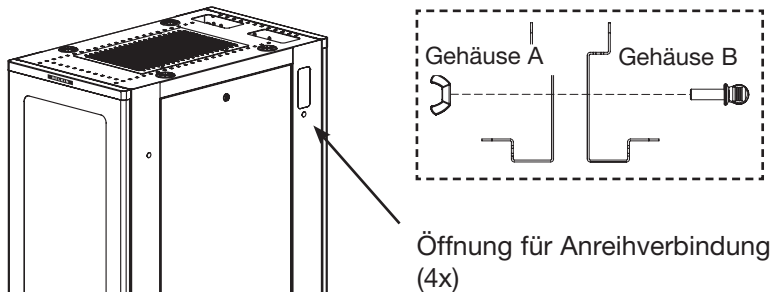


Teilenummer	Beschreibung
RK5004ek	Deckenplatte mit 3 Lüftern, 225 CFM
RK5006	Deckenplatte mit zwei 10"-Lüftern, 1100 CFM

Erforderliches Werkzeug: K
reuzschlitzschraubendreher

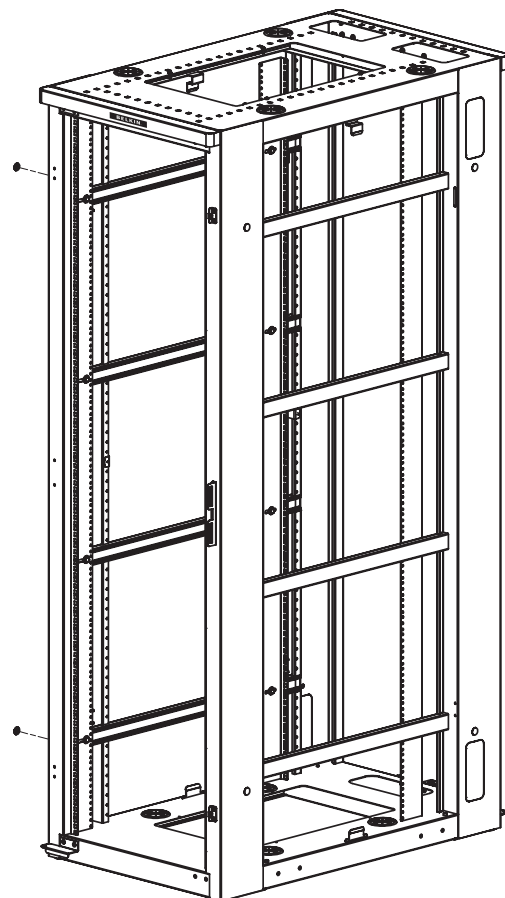
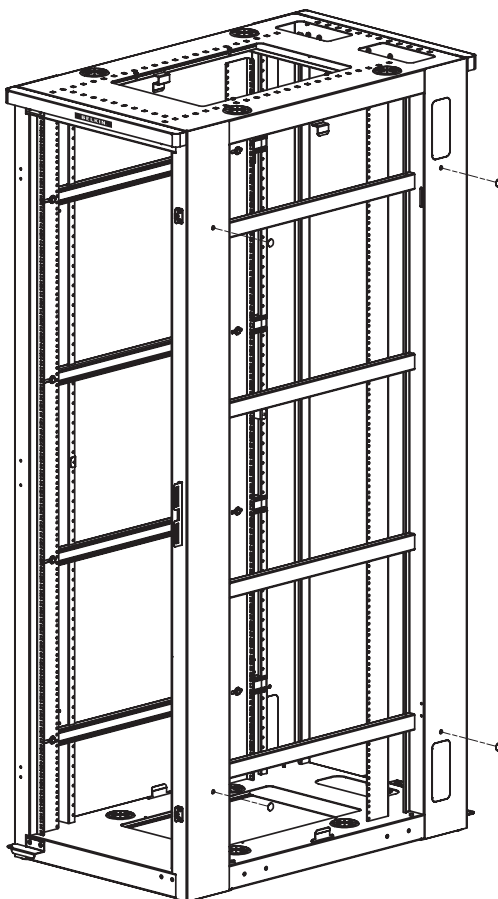


Aneinanderreihen oder Verbinden von Gehäusen



1. Entfernen Sie die Kunststoffkappen von den Rahmenstreben des Gehäuses (4).
2. Entfernen Sie mindestens eine Seitenwand von den nebeneinander stehenden Gehäusen.
3. Richten Sie die Gehäuse aufeinander aus, und verbinden Sie sie mit dem Anreihverbindungssatz.

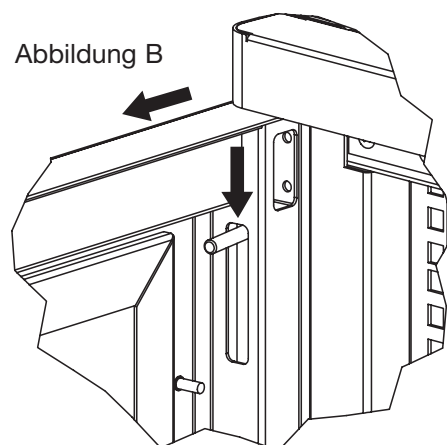
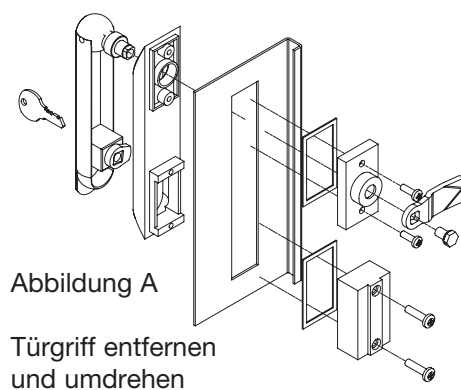
Verwenden Sie Belkin Teilenummer RK5008ek (optionaler Anreihverbindungssatz für Einbaugeschäfte). Es werden keine weiteren Werkzeuge benötigt.



Wechseln des Vordertür-Anschlags

1. Öffnen Sie die Tür, und drehen Sie den Türgriff um. (Siehe Abbildung A.)
2. Halten Sie die Tür mit einer Hand fest, während Sie mit der anderen Hand den Scharnierstift (Abbildung B) nach unten ziehen.
3. Fassen Sie die Tür an beiden Seiten an, heben Sie sie an, und nehmen Sie sie ab. Stellen Sie die Tür dann an der Seite ab.
4. Entfernen Sie die Scharnierstift-Haltebleche mit einem Kreuzschlitzschraubendreher; drehen Sie die Scharnierstift-Haltebleche dann um, und bringen Sie sie an den entgegengesetzten Ecken wieder an (Abbildung C).
5. Entfernen Sie die Abdeckkappen, indem Sie sie von hinten herausdrücken, und heben Sie sie zur späteren Verwendung auf.
6. Entfernen Sie das Einrastblech und die Türanschlagpuffer (2) mit einem Kreuzschlitzschraubendreher, während Sie gleichzeitig die Sicherungsmutter von hinten festhalten. Bringen Sie das Einrastblech und die Türanschlagpuffer (2) umgedreht an der anderen Seite an (Abbildung D).
7. Drücken Sie die Abdeckkappen in die Löcher auf der entgegengesetzten Seite.
8. Hängen Sie die Tür wieder ein.

HINWEIS: Der günstigste Zeitpunkt für den Wechsel des Türanschlags ist vor dem Einbau der Geräte. Die Türen sind werksseitig mit Scharnier auf der linken Seite eingebaut.



Wechseln des Vordertür-Anschlags

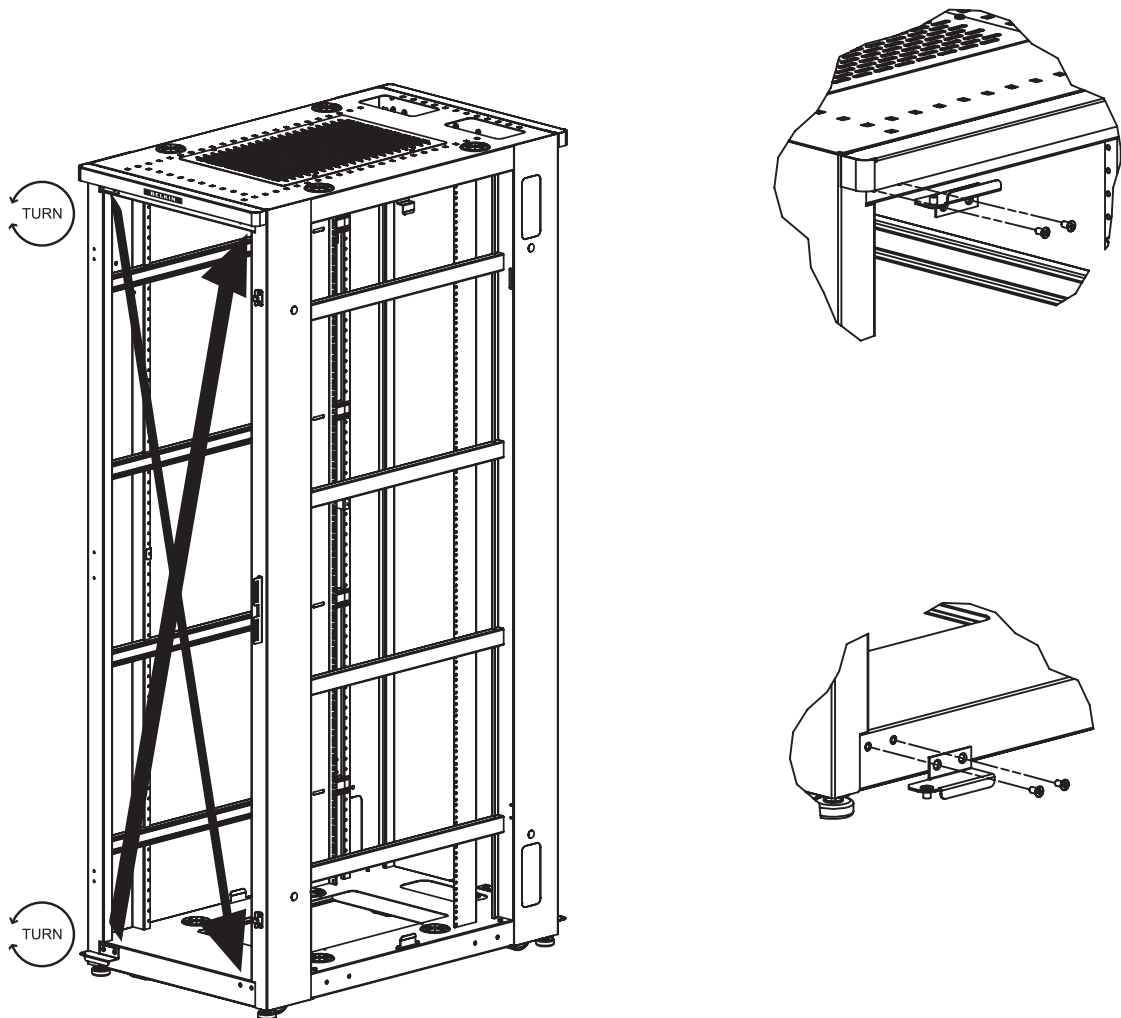


Abbildung C

Wechseln des Vordertür-Anschlags

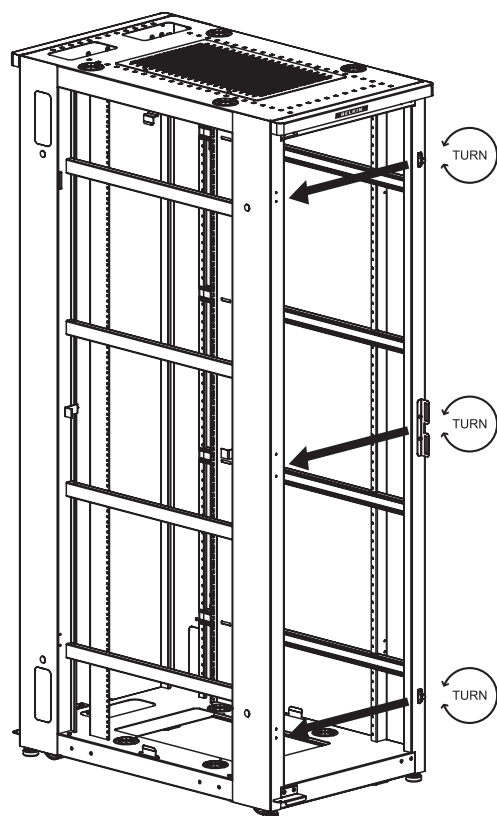
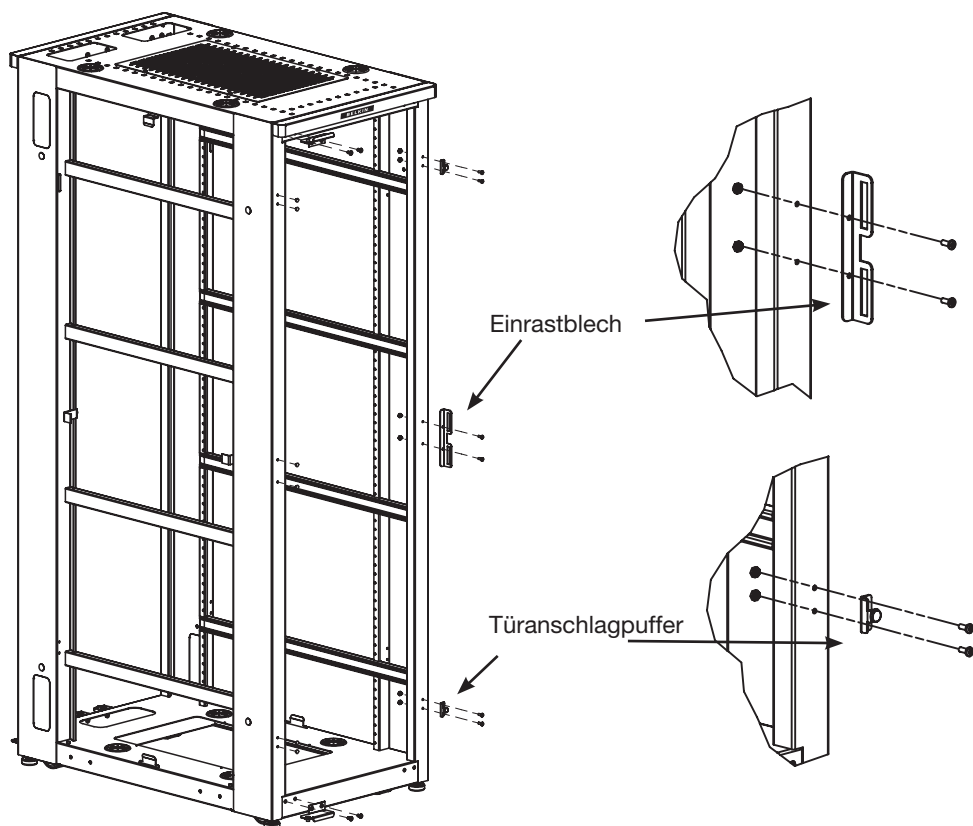


Abbildung D

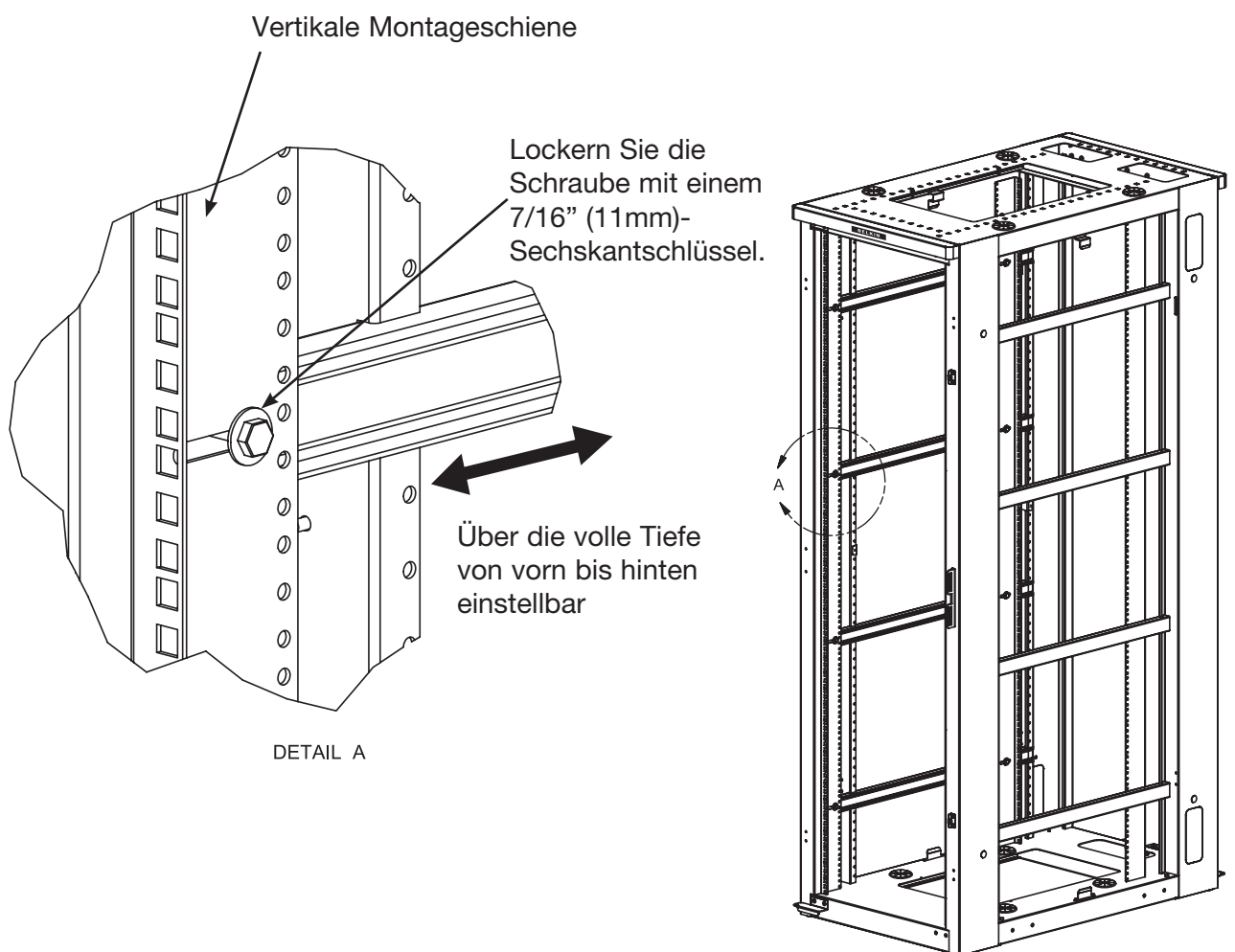
Einstellung der vertikalen Montageschienen

Die universell einstellbaren Schienen mit M6-Käfigmutter sind auf eine Tiefe von 29 (737mm) Zoll voreingestellt. Diese Tiefe erlaubt den Einbau der meisten Geräte für Rackmontage. Die Schienen sind über die volle Tiefe von vorne nach hinten einstellbar.



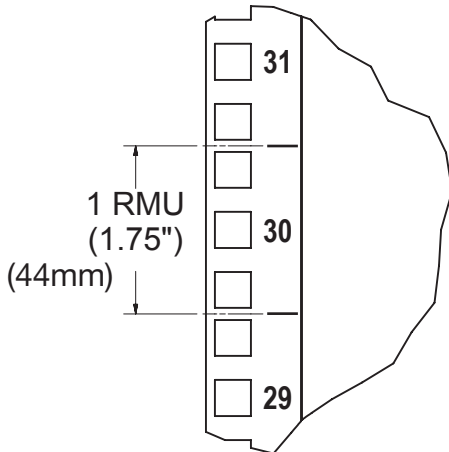
Der günstigste Zeitpunkt für die Verstellung der Schienen ist vor dem Einbau der Geräte.

Um die Schienen zu verstellen, lockern Sie die Schienenschrauben (4) mit einem 7/16" (11mm)-Sechskantschlüssel.



Installation der Geräte

Alle Belkin Einbaugehäuse erfüllen den Industriestandard EIA 310-D für 19"-Komponenten. Die vertikale Montageschiene ist 42 Höheneinheiten (HE) hoch. Eine HE ist eine vertikale Maßeinheit für Racks von 1,75 (44mm) Zoll.



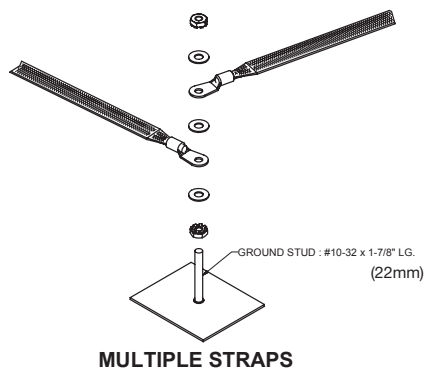
- Bauen Sie die Geräte von unten nach oben in das Einbaugehäuse ein; positionieren Sie dabei die schwersten Komponenten in der untersten Position.
- Befolgen Sie bitte die Anleitungen der jeweiligen Geräte, die Sie installieren.
- Ziehen Sie nach der Installation der Geräte jeweils nur eine Komponente gleichzeitig heraus.
- Um eine günstige Luftzirkulation zu gewährleisten, verwenden Sie Blindplatten (optional) entsprechend den Empfehlungen der Gerätehersteller.

Erdungsbolzen

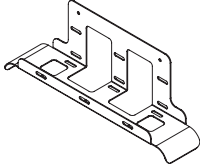

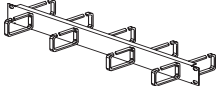
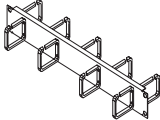
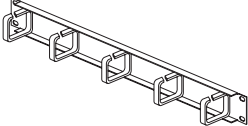
Die zehn Erdungsbolzen des Einbaugehäuses befinden sich an den Türen, Seitenwänden und am Rahmen.

Anzahl der Bolzen	Position
2	Sockel
2	Vordertür
4	Rücktüren (je 2)
2	Seitenwände (je 1)

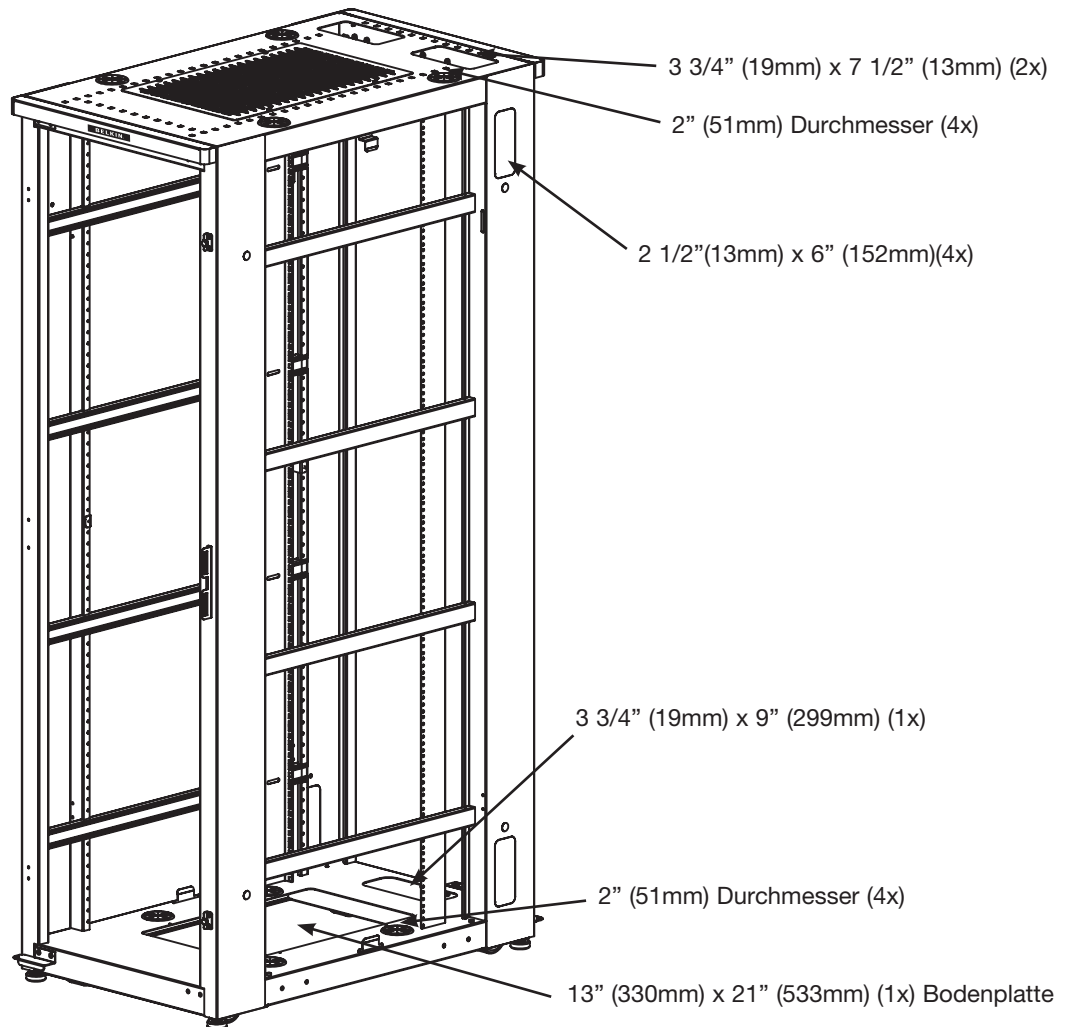
Der optionale Belkin Erdungssatz hat die Teilenummer RK5038ek.



Kabelführung

Teilenummer	Beschreibung	Abbildung
RK5001ek	Abgerundeter Kabelhalter	
RK5002ek	Vertikaler Streben-Kabelhalter	
RK5012ek	1-HE-Kabelführung, doppelseitig	
RK5013ek	2-HE-Kabelführung, doppelseitig	
RK5016ek	Kabelführung, einseitig	

Kabeleinführung



- Das Belkin Einbaugeschäuse bietet eine einfache Kabeleinführung.
- Die Deckenplatte hat zwei rechteckige Einführungen und vier runde Einführungen mit Gummitüllen.
- Die hinteren Rahmenstreben haben zwei integrierte Ausbrechöffnungen für Kabel.
- Diese Öffnungen können ausgebrochen werden, wenn zwei oder mehr Gehäuse aneinandergereiht werden.
- Die Öffnungen erlauben eine Kabeldurchführung zwischen den Schränken selbst bei eingebauter Seitenwand.
- Die Kabeleinführung in der Bodenplatte erfolgt durch eine großen Öffnung in der Mitte, eine zusätzliche rechteckige Öffnung hinten und vier Einführungen mit Gummitüllen.

Technische Daten

Beschreibung	RK1000ek	RK1002ek
	RK1001ek	
	Maße	
Höhe mit Laufrollen (Standard)	203,8 cm	123,8 cm
Breite	60,96 cm	60,96 cm
Tiefe	106,7 cm	106,7 cm
Gewicht	152 kg	133,8 kg
	124,7 kg ohne Seitenwände	
Versandgewicht	170,1 kg	152 kg
	147,9 kg ohne Seitenwände	
Offene Fläche Vordertür	5560 cm ²	3218 cm ²
Offene Fläche Rücktür	5356 cm ²	3060 cm ²
Offene Fläche Vordertür pro HE	132,3 cm ²	130,3 cm ²
Offene Fläche Rücktür pro HE	127,7 cm ²	127,1 cm ²
Freiraum für Verkabelung zwischen vertikaler Schiene und Vordertür*	6,35 cm	6,35 cm
Statische Tragfähigkeit	997,9 kg	997,9 kg
Dynamische Tragfähigkeit	907,2 kg	907,2 kg

* Zusätzlicher Freiraum durch verstellbare vordere Schiene

Zubehör

Teile-Nr.	Beschreibung
RK5003ek	Deckenplatte mit Belüftungsöffnungen
RK5004ek	Deckenplatte mit 3 Lüftern
RK5006ek	Deckenplatte mit zwei 10" (254mm)-Lüftern (1100 CFM)
RK5008ek	Anreihverbindungssatz
RK5009ek	Seitenwände (2 Stk.)
RK5018ek	26" (660mm)-tiefes Auszugregal, Tragkraft 110 lb.
RK5019ek	32" (813mm)-tiefes Auszugregal, Tragkraft 110 lb.
RK5021ek	28" (711mm)-tiefes festes Regal mit Belüftungsöffnungen und mit Befestigung vorne und hinten
RK5022ek	Schwenkbares Tastaturfach mit Mausfach
RK5023ek	Festes Regal mit Überstand
RK5027ek	Festes Regal mit Befestigung vorne
RK5030ek	Blindplattensatz: je 2 Stk. 1 HE / 2 HE / 3 HE
RK5031ek	1-HE-Blindplatten (2 Stk.)
RK5032ek	2-HE-Blindplatten (2 Stk.)
RK5033ek	3-HE-Blindplatten (2 Stk.)
RK5034ek	25 M6-Käfigmuttern mit Schrauben
RK5035ek	Laufrollen, 4er-Satz, ungebremst

Bestellinformationen erhalten Sie bei Ihrem örtlichen Belkin-Vertreter.

Garantie und Kundendienst

EINGESCHRÄNKTE LEBENSLANGE GARANTIE

Wofür diese Garantie gilt.

Belkin Corporation garantiert dem/der ursprünglichen Käufer/in von jedem Belkin Einbaugehäuse, dass das Gehäuse frei von Material-, Verarbeitungs- und Konstruktionsfehlern ist.

Für welchen Zeitraum die Garantie gilt.

Belkin Corporation bietet die Garantie auf das Belkin Einbaugehäuse, solange es sich im Besitz des/der ursprünglichen Käufers/in befindet.

Was unternehmen wir zur Fehlerbehebung?

Garantie für Einbaugehäuse.

Belkin übernimmt nach eigenem Ermessen die Reparatur oder den Ersatz jedes defekten Gehäuses kostenlos (abgesehen von den Versandkosten für das Gehäuse).

Was wird durch diese Garantie nicht abgedeckt?

Alle oben genannten Garantien verlieren ihre Gültigkeit, wenn das Belkin Einbaugehäuse der Belkin Corporation nicht auf Kosten des Käufers zur Überprüfung zur Verfügung gestellt wird. Belkin Corporation überprüft, ob das Belkin Gehäuse nicht unordnungsgemäß installiert worden ist und dass keine unerlaubten Änderungen daran vorgenommen worden sind. Die Garantie für Belkin Einbaugehäuse gilt nicht für Schäden durch höhere Gewalt (mit Ausnahme von Blitzeinschlägen) wie Überschwemmungen, Erdbeben, Krieg und Vandalismus, Diebstahl, normalen Verschleiß, Erosion, Wertminderung, Veralterung, schlechte Behandlung, Beschädigung durch Störungen aufgrund von Unterspannung (z. B. Spannungsabfall oder -senkung) oder nicht erlaubten Programm- oder Systemänderungen.

Wie Sie Unterstützung bekommen.

Um Unterstützung für Ihr Belkin Einbaugehäuse zu erhalten, gehen Sie folgendermaßen vor:

1. Wenden Sie sich innerhalb von 15 Tagen des Schadensfalls an den Kundendienst (Customer Service) von Belkin Ltd., Express Business Park, Shipton Way, Rushden, NN10 6GL, Großbritannien oder rufen Sie unter der Nummer 00 800 223 55 460 an.

Halten Sie die folgenden Informationen bereit:

- a) Die Teilenummer des Belkin Einbaugehäuses.
- b) Die Information, wo Sie das Gehäuse erworben haben.
- c) Die Information, wann Sie das Gehäuse erworben haben.
- d) Eine Kopie der Originalquittung.

2. Der/Die Kundendienstmitarbeiter/in von Belkin erläutert Ihnen dann, wie Sie den Kaufbeleg und das Belkin Gehäuse weiterleiten können und wie in Ihrem Fall verfahren wird.

Belkin Corporation behält sich das Recht vor, das beschädigte Belkin Gehäuse zu überprüfen. Alle Kosten, die beim Versand des Belkin Gehäuses an die Belkin Corporation entstehen, sind vollständig von dem/der Käufer/in zu tragen. Wenn Belkin nach eigenem Ermessen entscheidet, dass es nicht angebracht ist, das beschädigte Gerät an die Belkin Corporation zu schicken, kann Belkin nach eigenem Ermessen eine Reparaturstelle damit beauftragen, das Gerät zu überprüfen und einen Kostenvoranschlag für die Reparaturkosten des Gerätes zu machen. Die Kosten für den Versand zu einer solchen Reparaturstelle und die eventuellen Kosten für einen Kostenvoranschlag gehen vollständig zu Lasten der Käuferin oder des Käufers. Beschädigte Geräte müssen zur Überprüfung zur Verfügung stehen, bis die Reklamationsprozedur abgeschlossen ist. Wenn Ansprüche beglichen werden, behält sich die Belkin Corporation das Recht vor, Ersatzansprüche an eine bestehende Versicherung der Käuferin oder des Käufers zu übertragen.

Wie die Garantie gesetzlich verankert ist.

DIESE GARANTIE IST DIE ALLEINIGE GARANTIE VON BELKIN. ES GIBT KEINE ANDERE GARANTIE, EXPLIZIT ERWÄHNT ODER IMPLIZIT, AUSSER WENN DIES VOM GESETZ VORGESCHRIEBEN IST, EINSCHLIESSLICH DER IMPLIZITEN GARANTIE ODER DES QUALITÄTZZUSTANDS, DER ALLGEMEINEN GEBRAUCHSTAUGLICHKEIT ODER EIGNUNG FÜR EINEN BESTIMMTEN ZWECK, UND SOLCHE IMPLIZITEN GARANTIE, WENN ES SOLCHE GIBT, BEZIEHEN SICH AUSSCHLIESSLICH AUF DIE DAUER, DIE IN DIESER GARANTIE ZUGRUNDEGELEGT WIRD. In manchen Staaten sind Einschränkungen bezüglich der Dauer der Garantie nicht erlaubt. Eventuell treffen die oben erwähnten Einschränkungen für Sie dementsprechend nicht zu.

UNTER KEINEN UMSTÄNDEN HAFTET DIE BELKIN CORPORATION FÜR ZUFÄLLIGEN, BESONDEREN, DIREKTEN, INDIREKTEN, MEHRFACHEN SCHADEN ODER FOLGESCHÄDEN WIE, ABER NICHT AUSSCHLIESSLICH, ENTGANGENES GESCHÄFT ODER PROFITE, DIE IHNEN DURCH DEN VERKAUF ODER DIE BENUTZUNG VON IRGEND EINEM BELKIN EINBAUGEHÄUSE ENTGANGEN SIND, AUCH WENN SIE AUF DIE MÖGLICHKEIT SOLCHER SCHÄDEN AUFMERKSAM GEMACHT WORDEN SIND. Diese Garantie räumt Ihnen spezifische Rechte ein, die von Land zu Land unterschiedlich ausgestaltet sein können. In manchen Staaten sind Einschränkungen und Ausschluss in Bezug auf zufällige Schäden, Folgeschäden und andere Schäden nicht erlaubt. Eventuell treffen die oben erwähnten Einschränkungen für Sie dementsprechend nicht zu.

Belkin Technischer Support

Europa: 00 800 223 55 460

Für andere Sprachen: www.belkin.com/support

Belkin Ltd.
Express Business Park
Shipton Way, Rushden
NN10 6GL, Großbritannien
+44 (0) 1933 35 2000
Fax: +44 (0) 1933 31 2000

Belkin B.V.
Boeing Avenue 333
1119 PH Schiphol-Rijk,
Niederlande
+31 (0) 20 654 7300
Fax: +31 (0) 20 654 7349

Belkin GmbH
Hanebergstraße 2
80637 München
Deutschland
+49 (0) 89 143405 0
Fax: +49 (0) 89 143405 100

Belkin SAS
130 rue de Silly
92100 Boulogne Billancourt,
Frankreich
+33 (0) 1 41 03 14 40
Fax: +33 (0) 1 41 31 01 72

EN

DE

FR

© 2005 Belkin Corporation. Alle Rechte vorbehalten.

Alle Produktnamen sind eingetragene Warenzeichen der angegebenen Hersteller.

Belkin Technischer Support

Europa: 00 800 223 55 460

Für andere Sprachen: www.belkin.com/support

Belkin Ltd.

Express Business Park

Shipton Way, Rushden

NN10 6GL, Großbritannien

+44 (0) 1933 35 2000

Fax: +44 (0) 1933 31 2000

Belkin B.V.

Boeing Avenue 333

1119 PH Schiphol-Rijk,

Niederlande

+31 (0) 20 654 7300

Fax: +31 (0) 20 654 7349

Belkin GmbH

Hanebergstraße 2

80637 München

Deutschland

+49 (0) 89 143405 0

Fax: +49 (0) 89 143405 100

Belkin SAS

130 rue de Silly

92100 Boulogne Billancourt,

Frankreich

+33 (0) 1 41 03 14 40

Fax: +33 (0) 1 41 31 01 72

© 2005 Belkin Corporation. Alle Rechte vorbehalten.

Alle Produktnamen sind eingetragene Warenzeichen der angegebenen Hersteller.

Enceinte Belkin Manuel de l'utilisateur

(Cette page est laissée intentionnellement blanche.)

Table des matières

Description et inventaire du produit	4
Inventaire du produit	5
Caractéristiques de lenceinte	5
Avant l'installation	6
Déballage de lenceinte.....	7
Instructions de déballage	7
Installation de lenceinte Belkin	8
Mise à niveau de lenceinte	8
Dépose des roulettes et des vérins de calage	8
Dépose et pose des panneaux latéraux	9
Dépose et pose du panneau supérieur.....	10
Regroupement ou mise en réseau des enceintes	11
Inversion de la porte avant.....	12
Inversion de la porte avant.....	13
Inversion de la porte avant.....	14
Réglage des longerons de montage verticaux.	15
Installation de votre équipement.....	16
Goujons de mise à la masse	16
Gestion des câbles	17
Accès du câble.....	18
Spécifications.....	19
Accessoires	20
Garantie et service	21
GARANTIE À VIE LIMITÉE	21
Information sur la personne-ressource.....	23

Description et inventaire du produit

Lenceinte Belkin est un produit de qualité industrielle, de haute performance pour les industries de télécommunications et TI. Lenceinte est complètement compatible avec létagère à bâtis de 19 po de la norme industrielle EIA 310-D. Lenceinte Belkin est conçue pour une performance optimale des applications avec les serveurs, la voix, les données, le réseau, le travail sur Internet, la gestion des câbles, la distribution électrique et léquipement de protection de l'alimentation.

Enceintes Belkin

Numéro de pièce	Hauteur de l'unité RMU	Nominale Enceinte Hauteur avec rou- lettes	Nominale Enceinte Largeur	Description
RK1000ek	42	80.25" (2038mm)	24" (610mm)	Enceintes avec côtés
RK1001ek	42	80.25" (2038mm)	24" (610mm)	Enceinte sans côtés
RK1002ek	24	48.75" (1238mm)	24" (610mm)	Enceinte avec côtés

Des panneaux latéraux sont disponibles pour les enceintes commandées sans côtés. Les panneaux latéraux sont disponibles en paires avec la quincaillerie incluse.

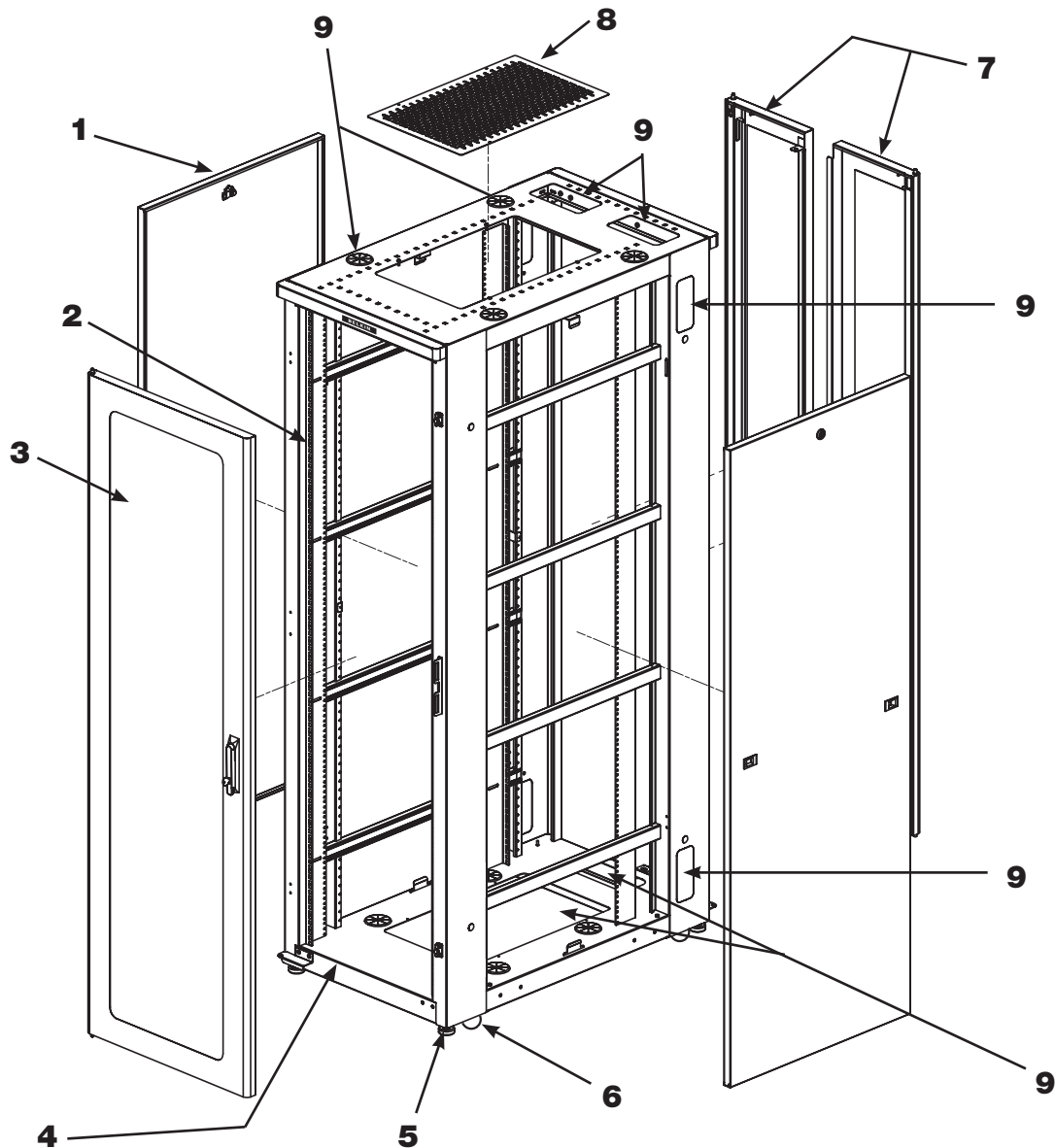
Numéro de pièce	Description
RK5009ek	Panneaux latéraux pour lenceinte 42U

Votre enceinte vient avec 50 vis métriques de 6 mm et des écrous prisonniers. Si vous avez besoin de plus de quincaillerie, veuillez consulter le numéro de pièce ci-dessous.

Numéro de pièce	Description
RK5034ek	Vis métriques noires 6 mm avec écrous prisonniers (25)

Inventaire du produit

Caractéristiques de lenceinte



- 1 Panneaux latéraux avec verrouillage
- 2 Longérons verticaux (réglables)
- 3 Portes avant réversibles
- 4 Cadre entièrement soudé
- 5 Vérins de calage réglables
- 6 Roulettes
- 7 Portes arrière divisées
- 8 Panneaux supérieurs ventilés
- 9 Accès du câble

Avant installation

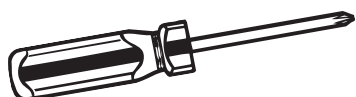
Les instructions doivent être lues complètement avant l'installation.



Quand ce symbole de mise en garde apparaît dans le manuel de l'utilisateur, l'information qui l'accompagne est essentiel à votre sécurité et à la prévention des dommages au produit.

Avant de déballer, veuillez vous assurer que vous avez les outils suivants :

Tournevis Phillips



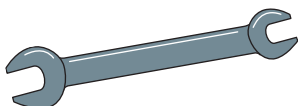
Couteau utilitaire



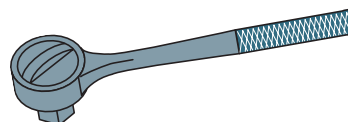
Niveau



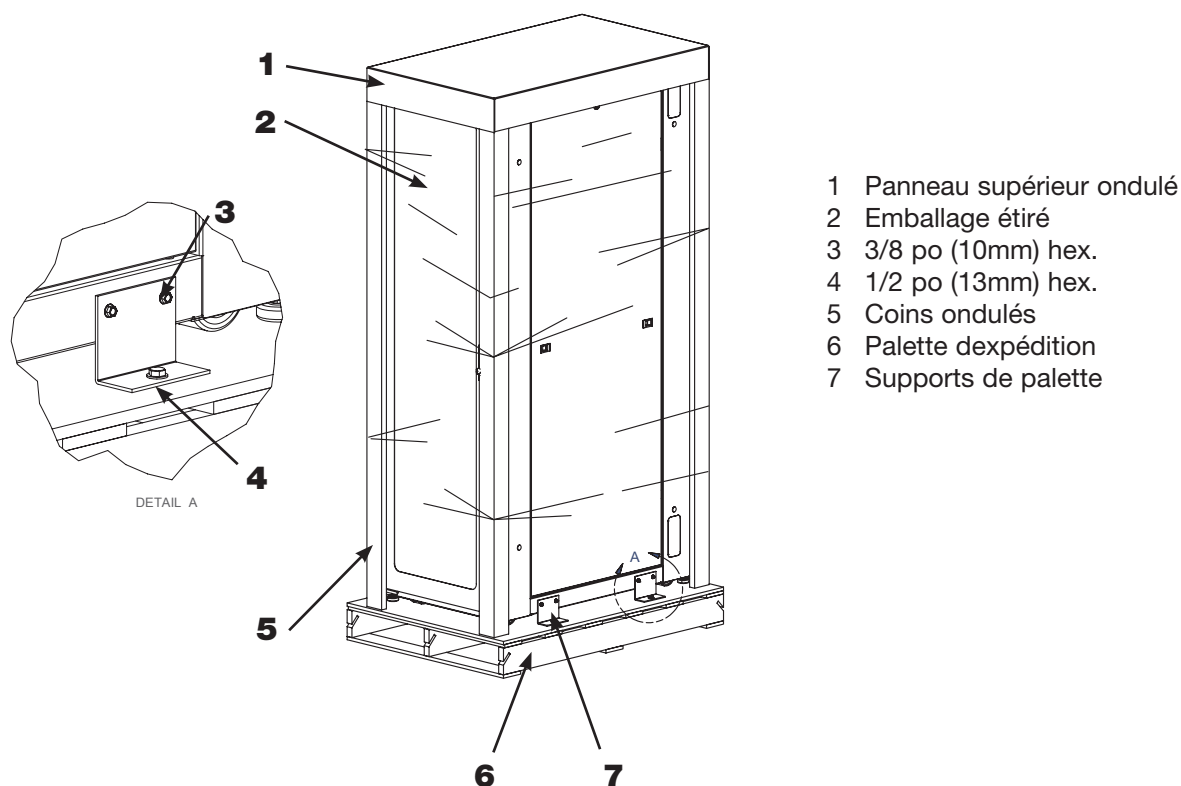
Clé ouverte de 3/4 po (19mm)



Douilles hexagonales de 1/2 (13mm), 3/8 (10mm) et 7/16 (11mm) po



Déballage de lenceinte



Instructions de déballage



1. Retrait de l'emballage étiré. Pour éviter les dommages à l'enceinte, coupez l'emballage étiré à l'un des coins ondulés avec un couteau utilitaire.
2. Enlevez le panneau supérieur et les coins ondulés.
3. Enlevez les supports de la palette avec une clé à douille de 1/2 po (13mm). Enlevez la fixation hex. de l'enceinte avec une clé à douille de 3/8 po (10mm).
4. Cette étape demande la présence de deux personnes ou plus. Avec une personne de chaque côté de l'enceinte, faites rouler l'enceinte vers l'arrière de la palette. Continuez jusqu'à ce que les quatre roulettes touchent le plancher.
5. Vérifiez que vous avez reçu toute la quincaillerie et tous les composants nécessaires avec l'enceinte Belkin. Communiquez avec le soutien de Belkin si vous pensez qu'il manque quelque chose.

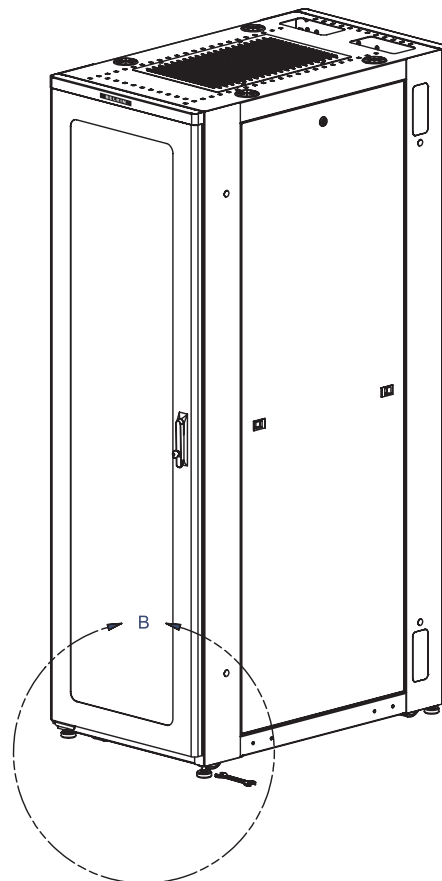
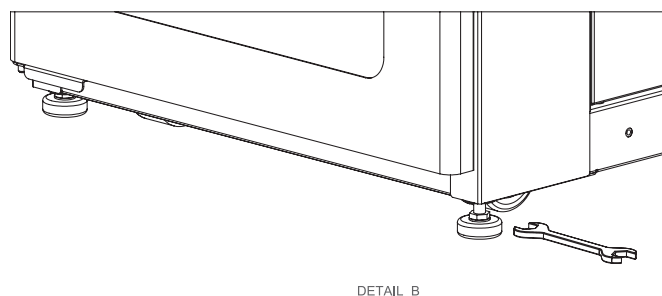
La quincaillerie de montage et les clés se trouvent dans le sac attaché à l'un des longerons de montage verticaux.

NOTE : Gardez la palette si vous devez renvoyer l'enceinte.
(Belkin n'est pas responsable des dommages causés par la réexpédition de cette enceinte.)
Veuillez recycler les matériaux d'expédition si c'est possible.

Installation de lenceinte Belkin

Mise à niveau de lenceinte

1. Placez lenceinte à son emplacement final.
2. Une fois lenceinte en place, avec la clé de 3/4 po (19mm), baissez les vérins de calage de façon que lenceinte ne repose plus sur les roulettes.
3. Avec un niveau et la clé, réglez les vérins de calage pour que lenceinte soit de niveau.



Dépose des roulettes et des vérins de calage

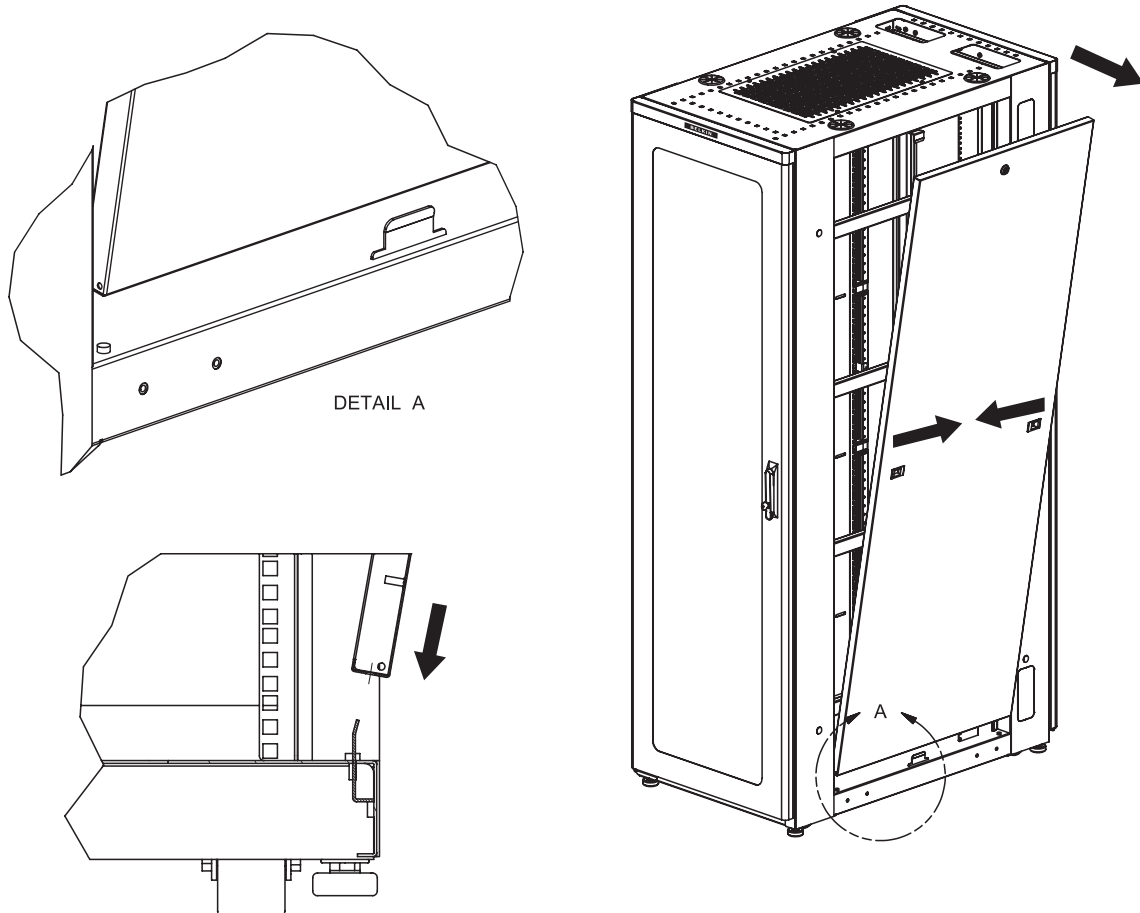


Les étapes suivantes demandent la présence de deux personnes ou plus.

1. Avec l'aide de deux personnes ou plus, mettez lenceinte sur le côté.
2. Dévissez les vérins de calage.
3. Avec une douille hexagonale de 1/2 po (13mm), enlevez les écrous de 5/6 po (21mm) qui retiennent les roulettes.
4. Remettez lenceinte en position verticale.

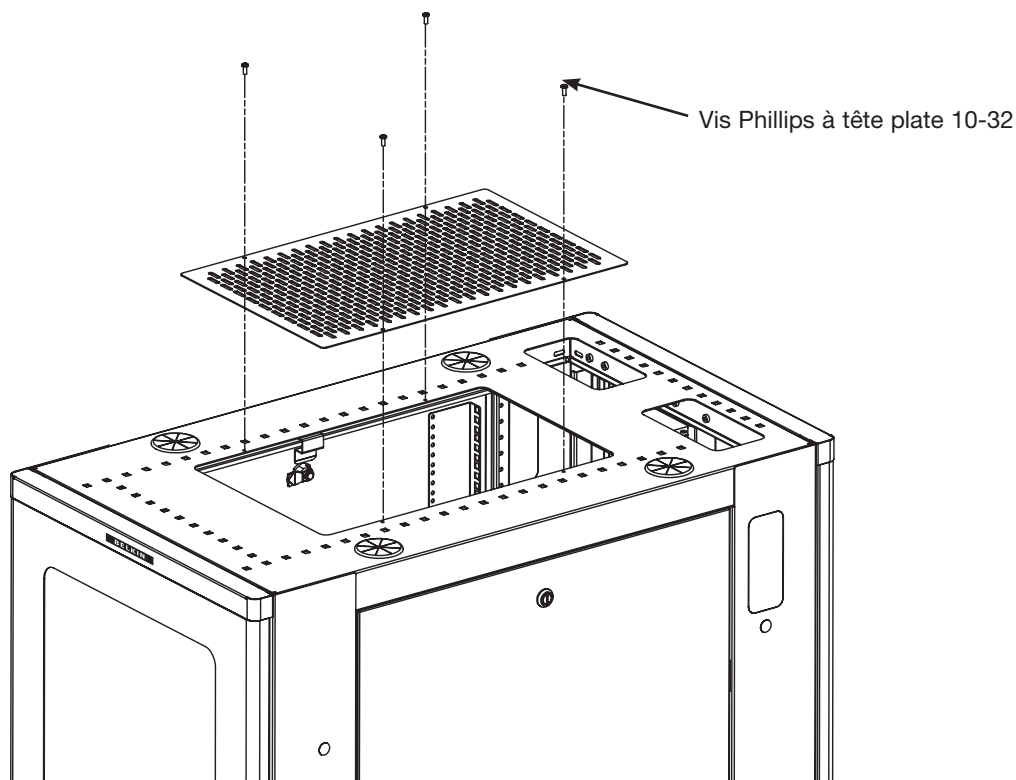
Dépose et pose des panneaux latéraux

1. Si le panneau latéral est verrouillé, il faut le déverrouiller.
2. Glissez les deux verrous vers le centre du panneau latéral et tirez celui-ci avec précaution vers vous.
3. Levez le panneau latéral et enlevez-le de l'enceinte.
4. Pour reposer le panneau suivre la même méthode en sens inverse.



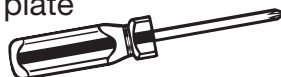
Dépose et pose du panneau supérieur

La partie centrale du panneau supérieur de votre enceinte est fixée avec quatre vis Phillips à tête plate 10-32. Vous pouvez remplacer ce panneau supérieur par un panneau à ventilateur optionnel en enlevant les quatre vis 10-32. Voir tableau ci-dessous.

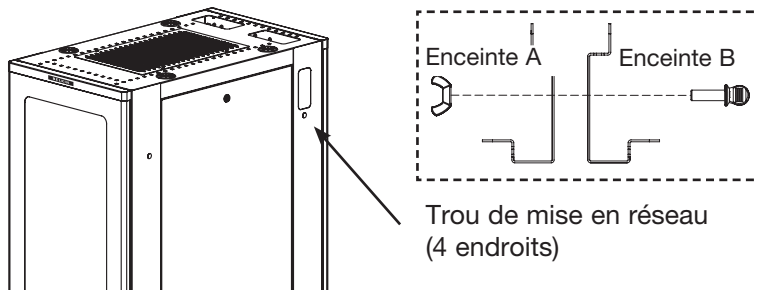


Numéro de pièce	Description
RK5004ek	Panneau supérieur à 3 ventilateurs, 225 pi3/min
RK5006ek	Panneau supérieur avec double ventilateur de 10 po, 1100 pi3/min

Outils nécessaires
Tournevis Phillips pour vis
à tête plate

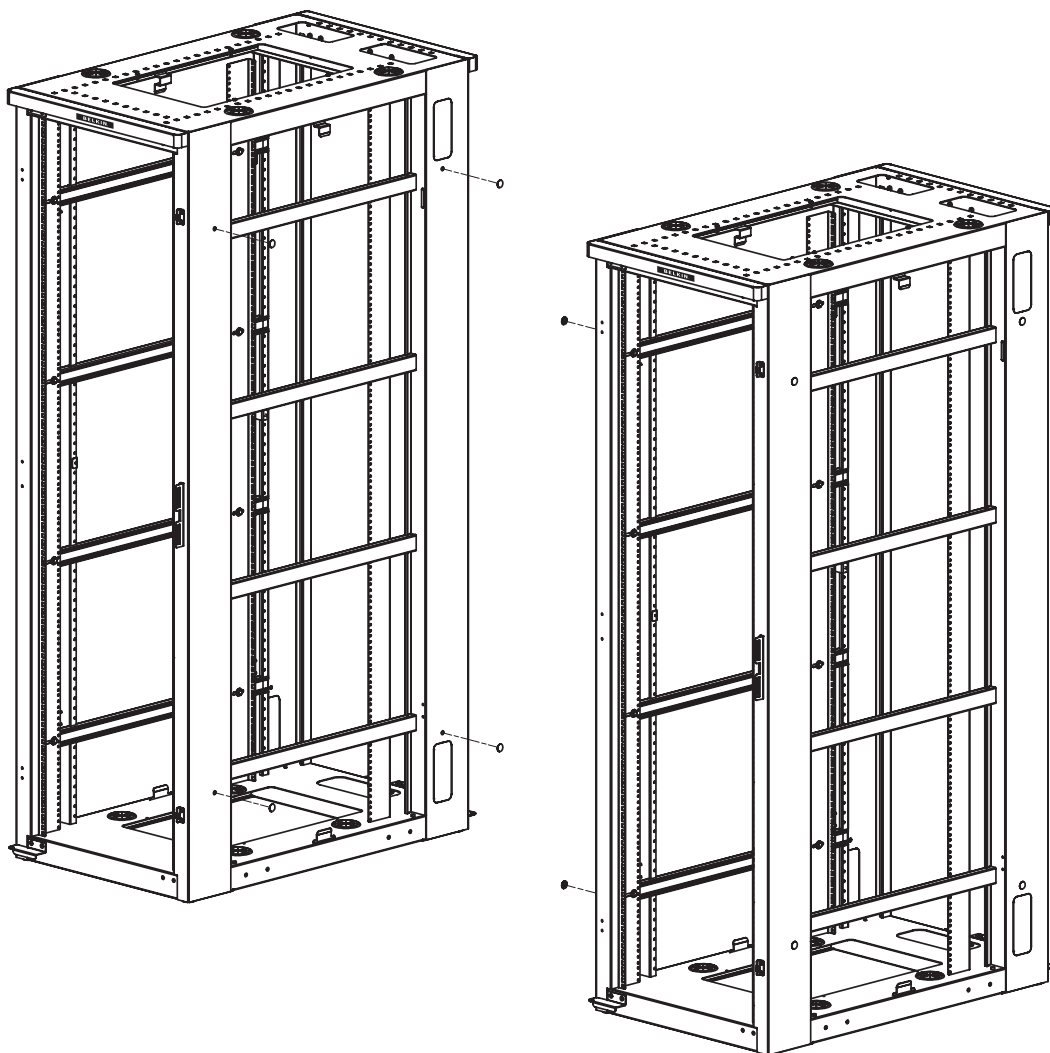


Regroupement ou mise en réseau des enceintes



1. Enlevez les bouchons de plastique des montants de coins de l'enceinte (4).
2. Déposez au moins un panneau latéral des enceintes à accoler.
3. Alignez les enceintes, posez la quincaillerie des bâtis.

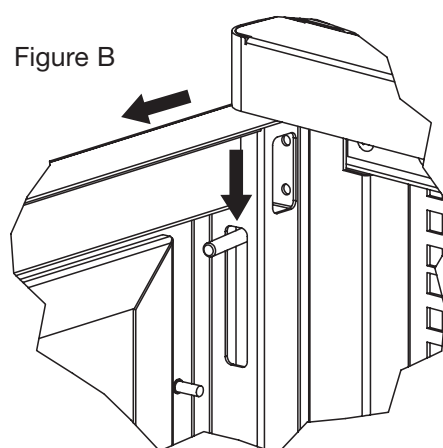
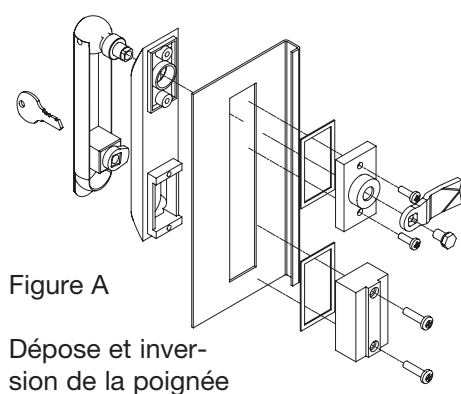
Utilisez le numéro de pièce Belkin RK5008ek (nécessaire optionnel de bâti de l'enceinte).
Aucun autre outil supplémentaire requis.



Inversion de la porte avant

1. Ouvrez la porte et inversez la poignée. Voir figure A.
2. Tenez la porte d'une main pendant que vous tirez l'axe de la charnière supérieure (Figure B) de l'autre main.
3. Prenez la porte des deux côtés et levez-la pour l'enlever et mettez-la de côté.
4. Enlevez les supports de l'axe de charnière avec un tournevis Phillips, tournez les supports d'axe de charnière et reposez-les dans les coins opposés (figure C).
5. Enlevez les bouchons en poussant du côté arrière et gardez-les pour les réutiliser.
6. Enlevez le support de verrou et les butées de porte (2) avec un tournevis Phillips en maintenant le contre-écrou de l'arrière. Tournez et placez le support et les butées de porte (2) du côté opposé (figure D).
7. Remettez les bouchons dans les trous du côté opposé.
8. Reposez la porte.

NOTE : Le meilleur moment pour inverser la porte est avant l'installation de l'équipement. La configuration d'usine normale de la porte est avec les charnières à gauche.



Inversion de la porte avant

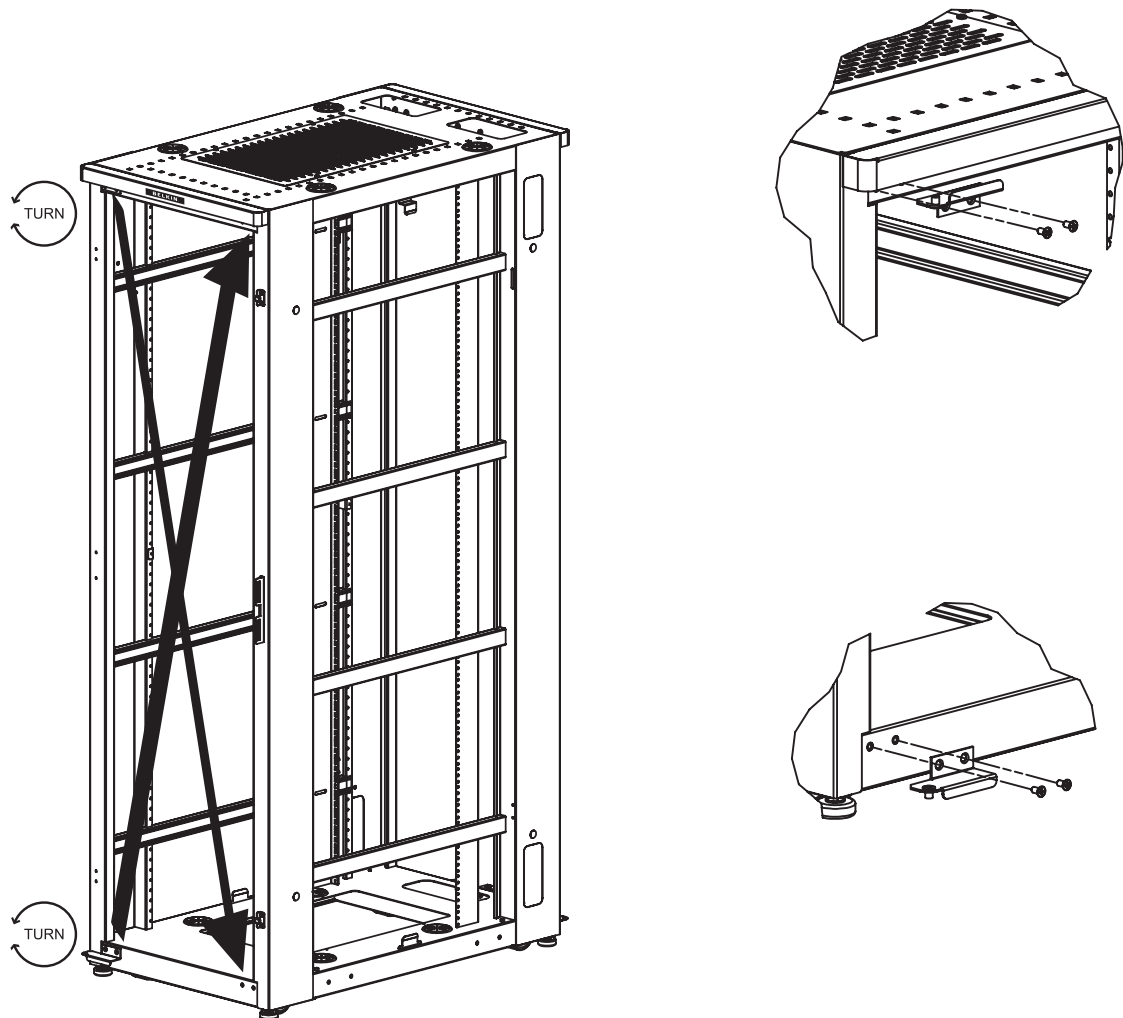


Figure C

Inversion de la porte avant

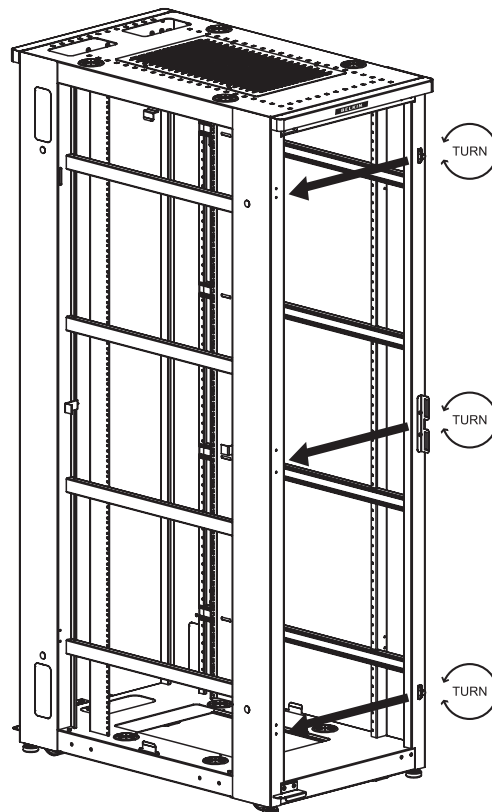
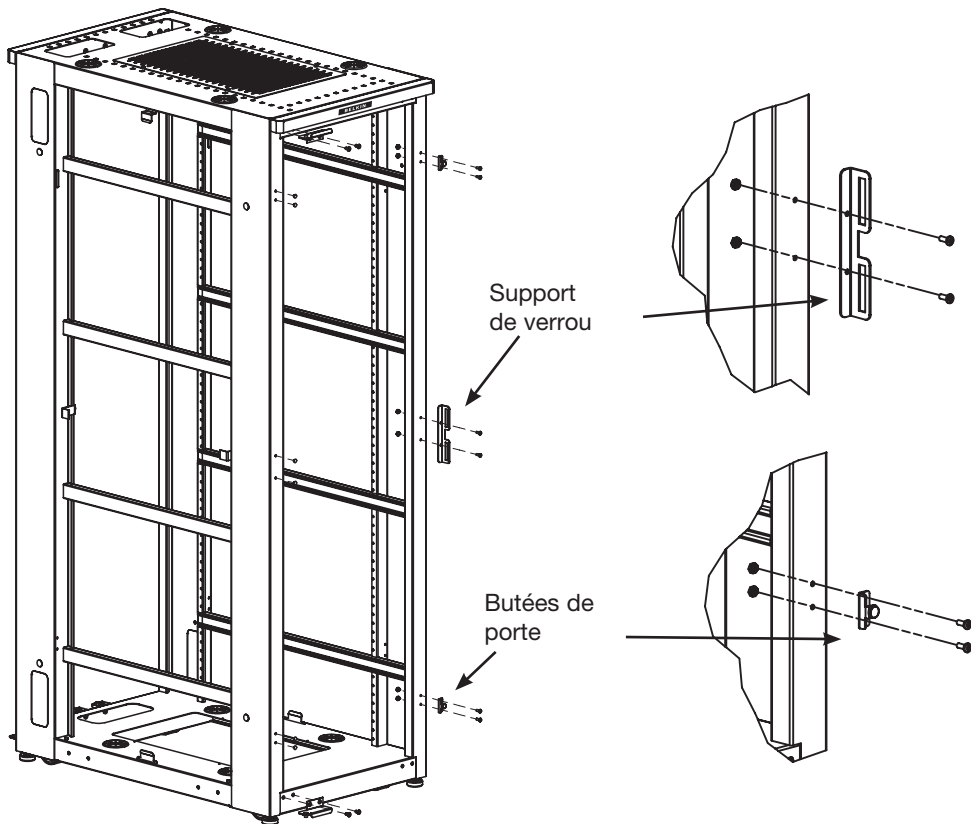


Figure D

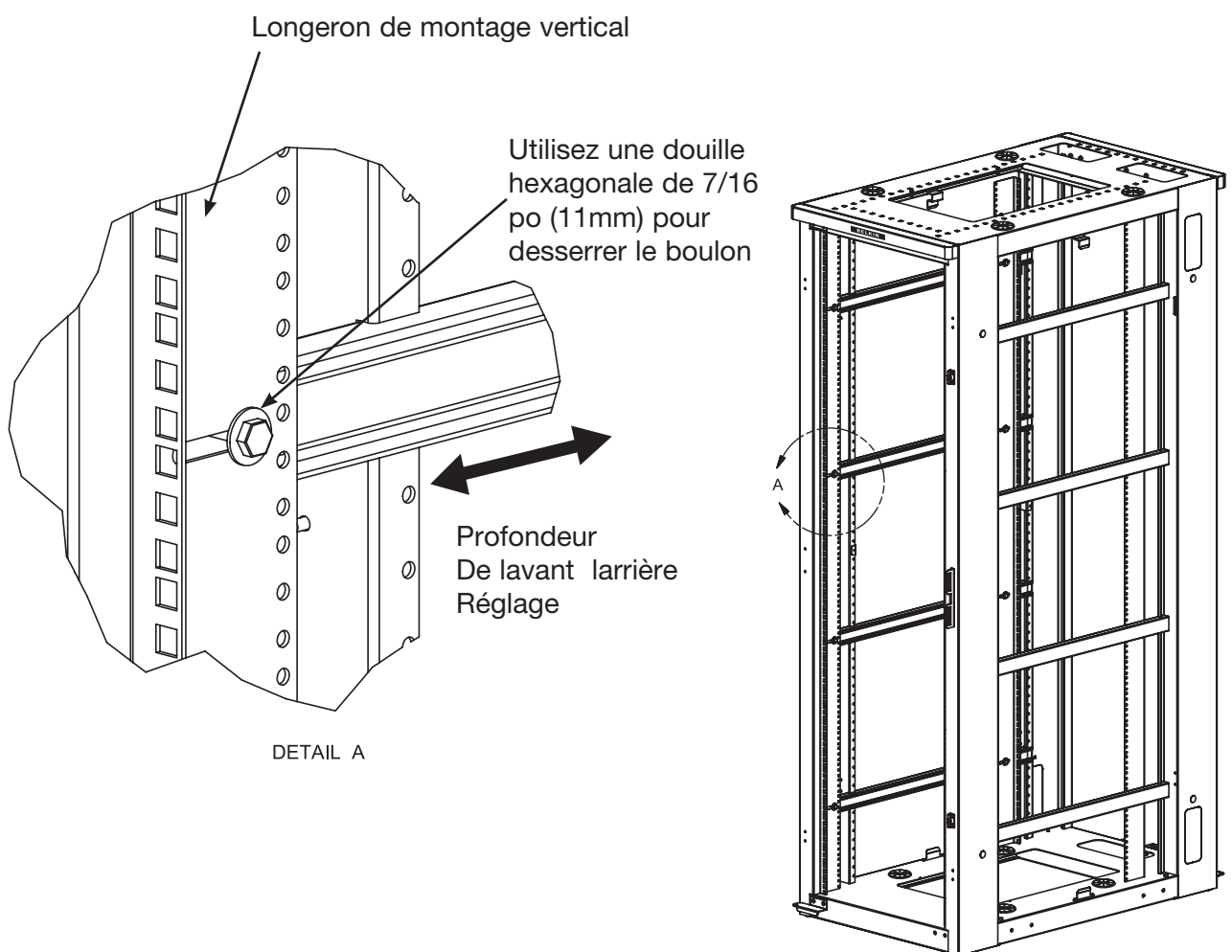
Réglage des longerons de montage verticaux.

Les longerons universels avec écrous prisonniers M6 sont préréglés à 29 po (737mm) de profondeur. Cette profondeur permet l'installation de la plupart de l'équipement se montant dans le bâti. Les longerons sont réglables à l'infini de l'avant à l'arrière.



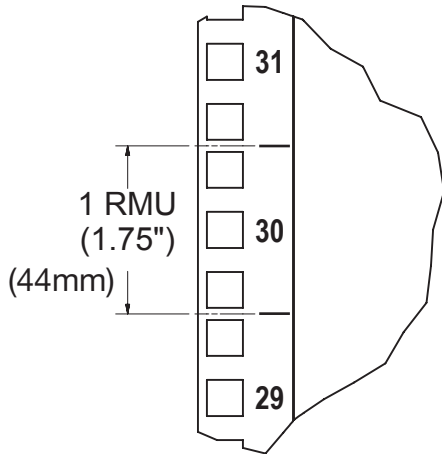
Le meilleur moment pour déplacer les longerons est avant l'installation de l'équipement.

Pour régler les longerons, desserrez les boulons (4) avec une douille hexagonale de 7/16 po (11mm).



Installation de votre équipement

Toutes les enceintes Belkin sont conformes à la norme EIA 310-D de 19 po de industrie. Le longeron de montage vertical a 42 unités de montage en bâti (RMU). Une unité RMU comprend un espace de bâti vertical de 1,75 po (44mm).



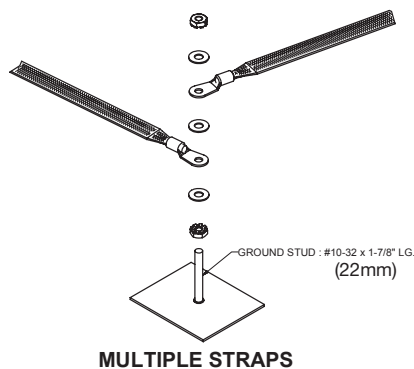
- Chargez votre étagère du bas vers le haut en plaçant les composants les plus lourds à la position la plus basse.
- Suivez les instructions individuelles qui sont fournies avec les composants que vous installez.
- Après l'installation de votre équipement, rallongez qu'un composant à la fois.
- Pour assurer un bon écoulement de l'air, utilisez les panneaux de remplissage (optionnels) selon les recommandations du fabricant du composant.

Goujons de mise à la masse

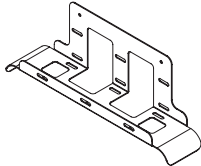

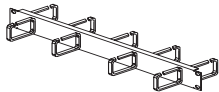
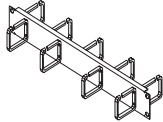
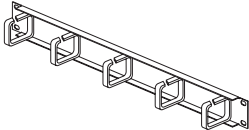
Les dix goujons de mise à la masse sur l'enceinte se trouvent sur les portes, les panneaux latéraux et le cadre.

Nombre de goujons	Emplacement
2	Base
2	Porte avant
4	Portes arrière (2)
2	Panneaux latéraux (1 chacun)

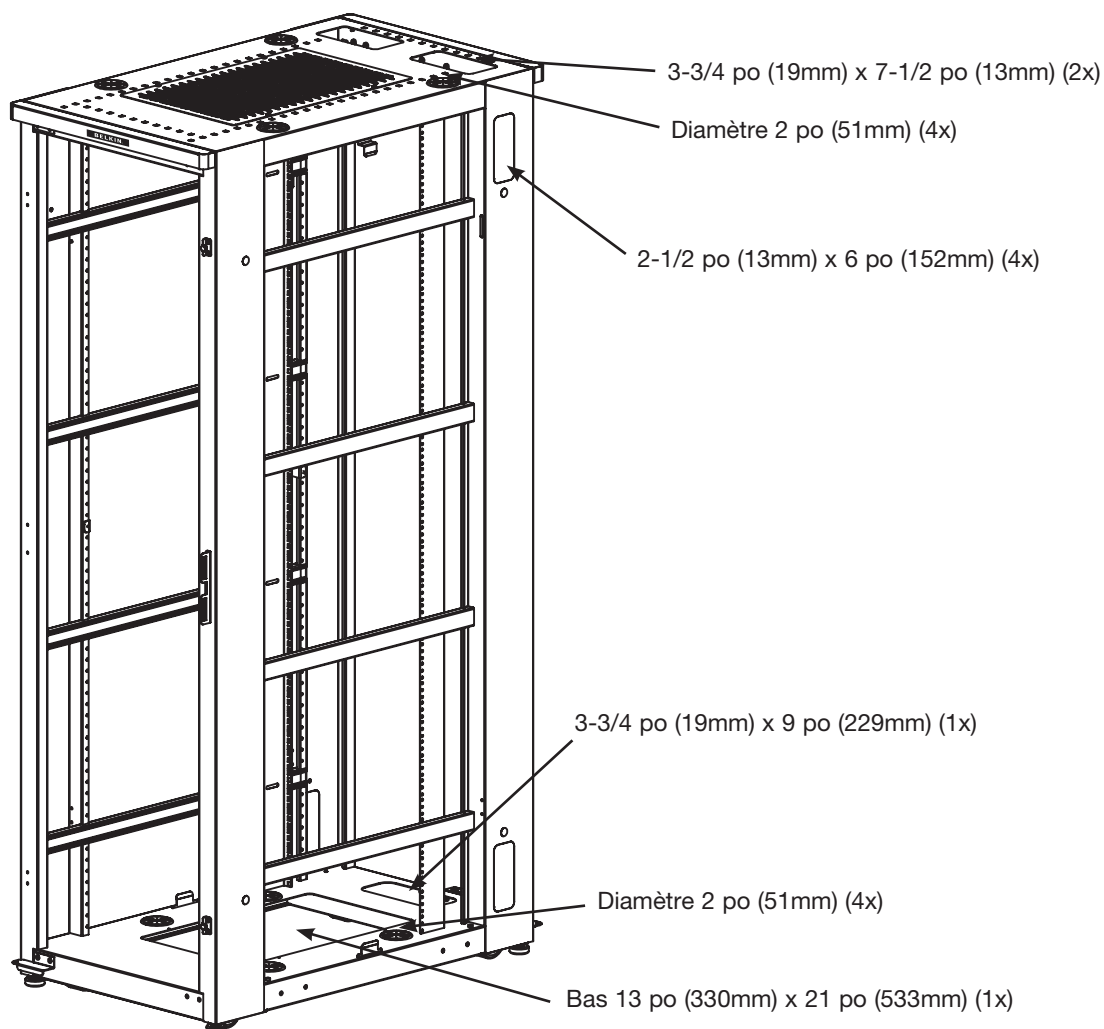
Consultez le numéro de pièce RK5038ek pour le nécessaire optionnel de mise à la masse de l'enceinte Belkin.



Gestion des câbles

Numéro de pièce	Description	Image
RK5001ek	Gestionnaire de câbles à bords arrondis	
RK5002ek	Gestionnaire de câbles vertical à doigts	
RK5012ek	Gestionnaire de câbles deux côtés 1 U	
RK5013ek	Gestionnaire de câbles deux côtés 2 U	
RK5016ek	Gestionnaire de câbles un côté	

Accès du câble



- Votre enceinte Belkin permet l'accès facile des câbles.
- Le dessus a deux points d'accès rectangulaires et quatre autres avec oeillet.
- Les montants de coin arrière ont deux trous à défoncer intégrés pour les câbles.
- Ces trous à enfoncer peuvent être enlevés quand on réunit deux enceintes ou plus ensemble.
- Ils vous permettront néanmoins d'avoir accès d'une enceinte à l'autre quand un panneau latéral est en place.
- L'accès par le bas se fait par une grande ouverture centrale, un point rectangulaire supplémentaire à l'arrière et quatre points d'accès à oeillets.

Spécifications

Description	RK1000ek	RK1002ek
	RK1001ek	
	Mesures	
Hauteur avec roulettes (normale)	80,25 po (203,84 cm)	48,75 po (123,83 cm)
Largeur	24 po (60,96 cm)	24 po (60,96 cm)
Profondeur	42 po (106,7 cm)	42 po (106,7 cm)
Poids	335 lb (152 kg) 275 lb sans les côtés (124,7 kg)	295 lb (133,8 kg)
Poids d'expédition	375 lb (170,1 kg) 315 lb (147,9 kg) sans les côtés	335 lb (152 kg)
Porte avant de la zone ouverte	861,8 po ² (5560 cm ²)	484,8 po ² (3 218 cm ²)
Porte arrière de la zone ouverte	830,2 po ² (5 356 cm ²)	474,8 po ² (3 060 cm ²)
Zone ouverte de la porte avant mesurée par U	20,5 po ² (132,3 cm ²)	20,2 po ² (130,3 cm ²)
Zone ouverte de la porte arrière mesurée par U	19,8 po ² (127,7 cm ²)	19,7 po ² (127,1 cm ²)
Dégagement du câblage entre le longé- ron vertical et la porte avant*	2,5 po (6,35 cm)	2,5 po (6,35 cm)
Poids statique	2 200 lb (997,9 kg)	2 200 lb (997,9 kg)
Poids dynamique	2 000 lb (907,2 kg)	2 000 lb (907,2 kg)

* Longeron avant réglable pour davantage de dégagement

Accessoires

Numéro de pièce	Description
RK5003ek	Panneau supérieur perforé
RK5004ek	Panneau supérieur avec 3 ventilateurs
RK5006ek	Panneau supérieur avec deux ventilateurs de 10 po (254mm) de 1 100 pi ³ /min
RK5008ek	Nécessaire pour bâtis
RK5009ek	Paire de panneaux latéraux
RK5018ek	Étagère coulissante de 26 po (660mm) de profondeur, capacité 110 lb
RK5019ek	Étagère coulissante de 32 po (813mm) de profondeur, capacité 110 lb
RK5021ek	Étagère ventilée fixe pour montage avant et arrière de 28 po (711mm) de profondeur
RK5022ek	Tablette de clavier pivotante avec support de souris
RK5023ek	Étagère fixe - en porte-à-faux
RK5027ek	Étagère fixe, montage avant
RK5030ek	Nécessaire de panneau de remplissage - 2 chacun de 1U/2U/3U
RK5031ek	Panneau de remplissage 1U (2)
RK5032ek	Panneau de remplissage 2U (2)
RK5033ek	Panneau de remplissage 3U (2)
RK5034ek	Ensemble de 25 écrous prisonniers M6 avec vis
RK5035ek	Roulettes, ensemble de 4, non verrouillables

Veuillez communiquer avec votre représentant Belkin local pour plus de renseignements sur la commande.

Garantie et service

GARANTIE À VIE LIMITÉE

Champ d'application de la garantie.

Belkin Corporation garantit à l'acheteur initial de toute enceinte Belkin que celle-ci sera exempte de tout défaut de conception, d'assemblage, de matériau ou de main-d'œuvre.

Période de garantie.

Belkin Corporation garantit l'enceinte Belkin aussi longtemps que l'acheteur initial en sera propriétaire.

Mesures correctives.

Garantie de l'enceinte

Belkin réparera ou remplacera, à son choix, gratuitement (sauf pour les frais d'expédition) toute enceinte défectueuse.

Exclusions de la garantie.

Toutes les garanties précédentes sont nulles et non avenues si l'enceinte Belkin n'est pas expédiée à Belkin Corporation pour inspection, à la demande de cette dernière et aux seuls frais de l'acheteur et si Belkin Corporation détermine que l'enceinte a été mal installée, modifiée ou altérée de quelque façon que ce soit. La garantie de l'enceinte Belkin ne s'applique pas aux cas de force majeure (autres que la foudre) tels que tremblement de terre, inondation, guerre, vandalisme, vol, usure normale, érosion, épuisement, obsolescence, abus, dommages causés par des perturbations de faible tension (c.-à-d. pannes localisées ou baisses de tension), programme non autorisé ou modification ou altération de l'équipement.

Entretien et réparation.

Vous devez prendre les mesures suivantes pour faire réparer ou entretenir votre enceinte Belkin :

1. Communiquez avec Belkin Ltd., Express Business Park, Shipton Way, Rushden, NN10 6GL, Royaume-Uni, à l'attention : Technique Service à la clientèle ou appeler au **00 800 223 55 460** dans un délai de 15 jours suivant l'événement.

Soyez prêt à fournir l'information suivante :

- a. Le numéro de pièce de l'enceinte Belkin.
- b. L'endroit où l'enceinte a été achetée.
- c. La date à laquelle l'enceinte a été achetée.
- d. Une copie du reçu original.

2. Votre représentant du service à la clientèle de Belkin vous indiquera ensuite comment envoyer votre reçu et l'enceinte Belkin et comment soumettre votre réclamation.

Belkin Corporation se réserve le droit d'examiner l'enceinte Belkin endommagée. Tous les coûts d'expédition de l'enceinte Belkin à Belkin Corporation pour inspection seront entièrement assumés par l'acheteur. Si Belkin détermine, à son entière discrétion, qu'il est peu pratique d'expédier l'équipement endommagé à Belkin Corporation, elle peut désigner, à son entière discrétion, un atelier de réparation pour inspecter l'équipement et évaluer le coût des réparations. Les coûts, s'il en est, pour l'expédition de l'équipement jusqu'à l'atelier de réparation et le retour, et pour l'estimation, seront entièrement assumés par l'acheteur. L'équipement endommagé doit être disponible pour inspection jusqu'à ce que la demande de réclamation soit réglée. Lorsqu'un règlement intervient, Belkin Corporation se réserve le droit d'être subrogé en vertu de quelque police d'assurance que l'acheteur pourrait avoir.

Lois d'État relatives à la garantie.

BELKIN REJETTE PAR LE PRÉSENT DOCUMENT TOUTES LES AUTRES GARANTIES, EXPLICITES OU IMPLICITES, Y COMPRIS MAIS SANS SY LIMITER, LES GARANTIES IMPLICITES AFFÉRENTES À LA QUALITÉ LOYALE ET MARCHANDE ET À L'ADÉQUATION À UNE FIN DONNÉE. Certains états n'autorisent pas de limite quant à la durée d'une garantie implicite; il se pourrait donc que les limites indiquées ci-dessus ne s'appliquent pas dans votre cas.

"BELKIN CORPORATION NE PEUT EN AUCUN CAS ÊTRE TENU RESPONSABLE DE DOMMAGES ACCESSOIRES, DIRECTS, INDIRECTS OU MULTIPLES, Y COMPRIS, MAIS SANS SY LIMITER, LA PERTE DE REVENUS OU D'AFFAIRES DÉCOULANT DE LA VENTE OU DE L'UTILISATION DE TOUTE ENCEINTE BELKIN, MÊME LORSQU'ELLE EST AVISÉ DE LA PROBABILITÉ DES DITS DOMMAGES. Cette garantie vous confère des droits légaux spécifiques, et vous pouvez aussi avoir d'autres droits pouvant varier d'un état à l'autre. Certains états ne permettent pas l'exclusion ou la limitation des dommages-intérêts pour une cause indirecte, fortuite ou de tous autres dommages; il se pourrait donc que les limites indiquées ci-dessus ne s'appliquent pas dans votre cas.

Assistance technique Belkin

Europe : 00 800 223 55 460

Pour toutes les autres langues : www.belkin.com/support

Belkin Ltd.
Express Business Park
Shipton Way, Rushden
NN10 6GL, Royaume-Uni
+44 (0) 1933 35 2000
+44 (0) 1933 31 2000 Fax

Belkin B.V.
Boeing Avenue 333
1119 PH Schiphol-Rijk,
Pays-Bas
+31 (0) 20 654 7300
+31 (0) 20 654 7349 Fax

Belkin GmbH
Hanebergstrasse 2
80637 Munich,
Allemagne
+49 (0) 89 143405 0
+49 (0) 89 143405 100 Fax

Belkin SAS
130 rue de Silly
92100 Boulogne Billancourt,
France
+33 (0) 1 41 03 14 40
+33 (0) 1 41 31 01 72 Fax

© 2005 Belkin Corporation. Tous droits réservés.

Toutes les raisons commerciales sont des marques déposées de leurs fabricants respectifs.

Assistance technique Belkin

Europe : 00 800 223 55 460

Pour toutes les autres langues : www.belkin.com/support

Belkin Ltd.
Express Business Park
Shipton Way, Rushden
NN10 6GL, Royaume-Uni
+44 (0) 1933 35 2000
+44 (0) 1933 31 2000 Fax

Belkin B.V.
Boeing Avenue 333
1119 PH Schiphol-Rijk,
Pays-Bas
+31 (0) 20 654 7300
+31 (0) 20 654 7349 Fax

Belkin GmbH
Hanebergstrasse 2
80637 Munich,
Allemagne
+49 (0) 89 143405 0
+49 (0) 89 143405 100 Fax

Belkin SAS
130 rue de Silly
92100 Boulogne Billancourt,
France
+33 (0) 1 41 03 14 40
+33 (0) 1 41 31 01 72 Fax

© 2005 Belkin Corporation. Tous droits réservés.

Toutes les raisons commerciales sont des marques déposées de leurs fabricants respectifs.